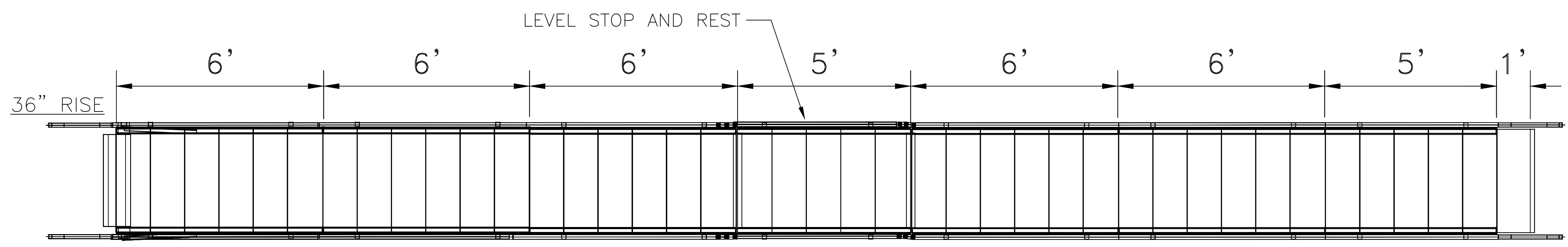
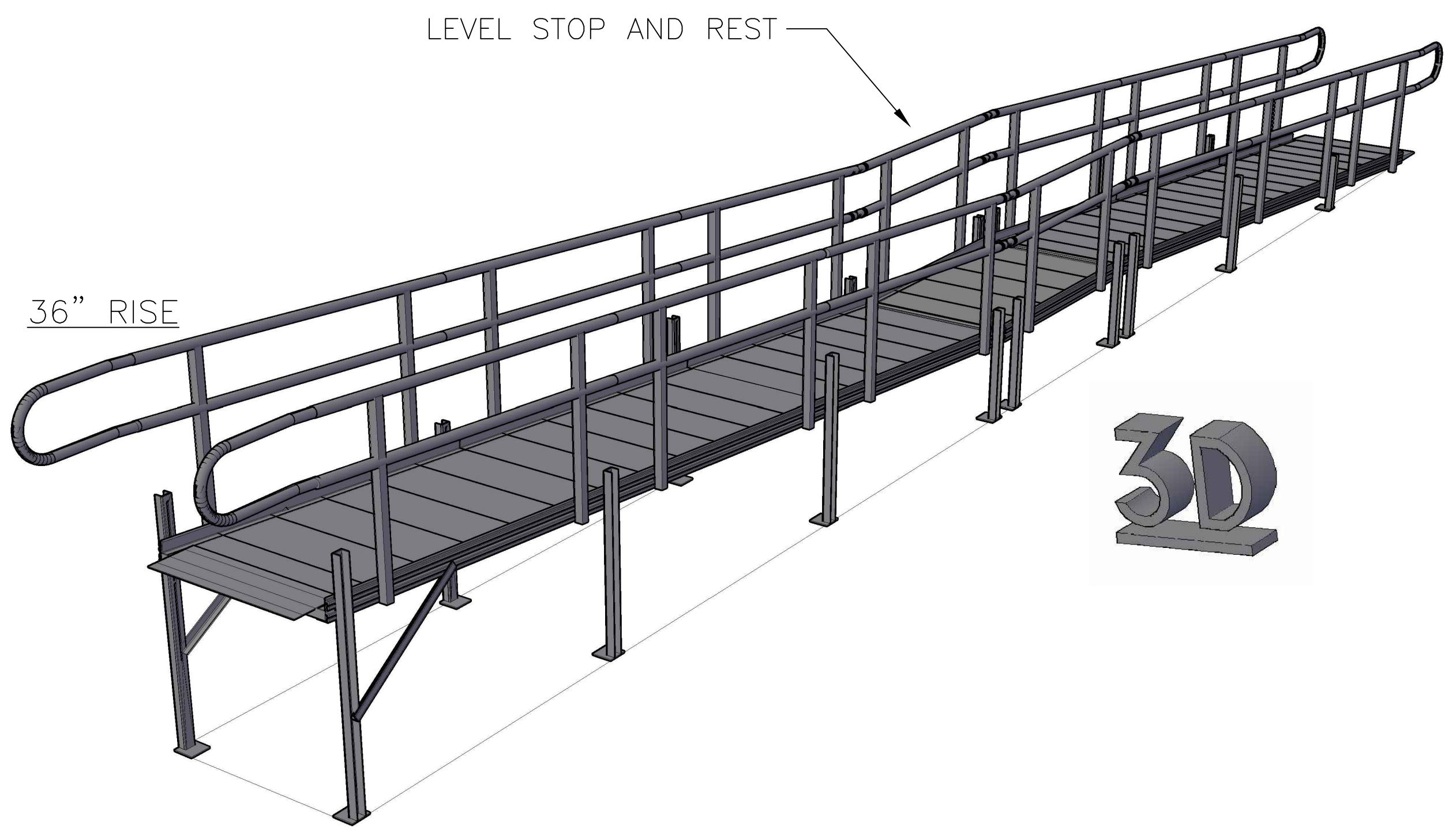
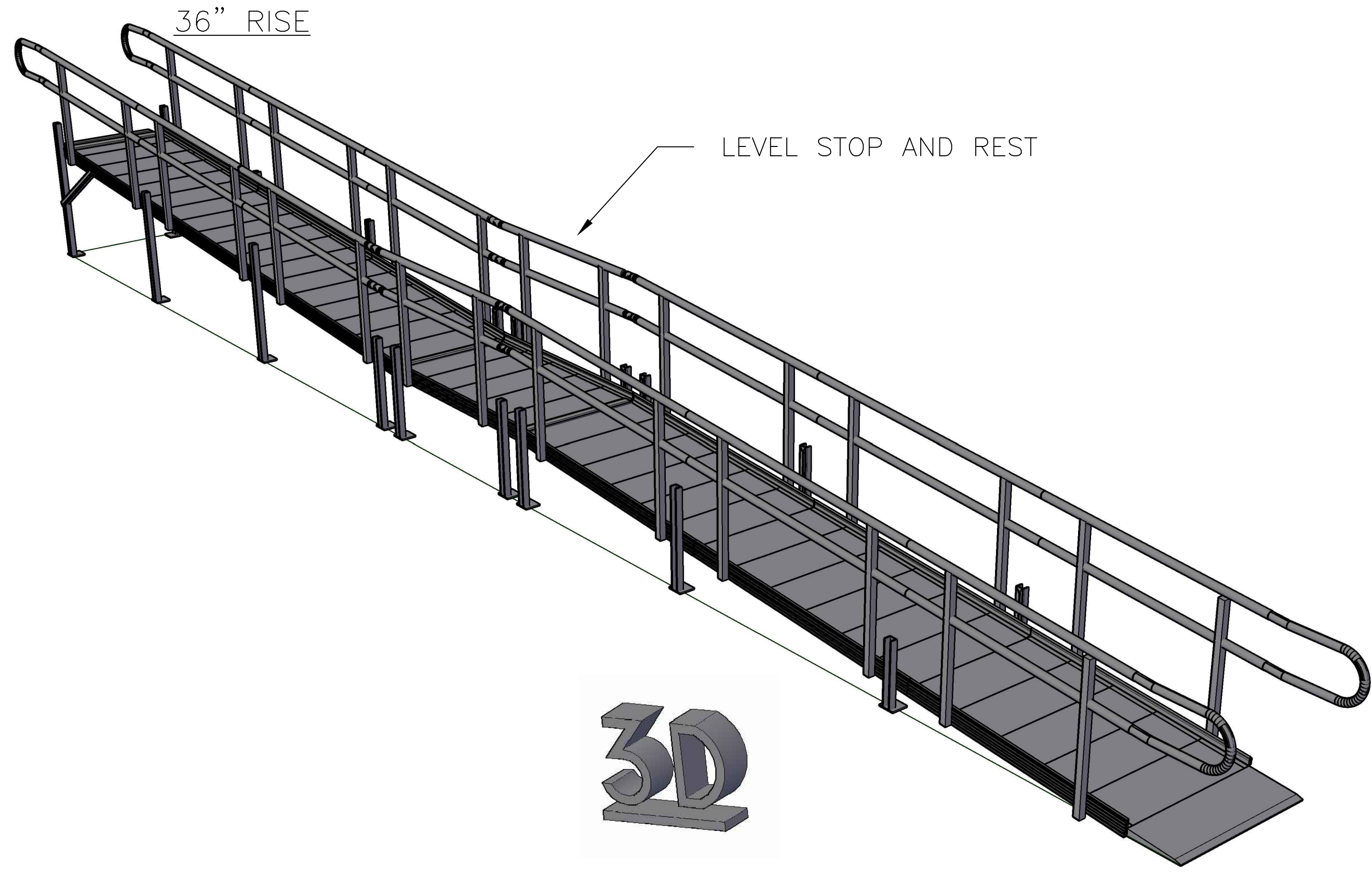
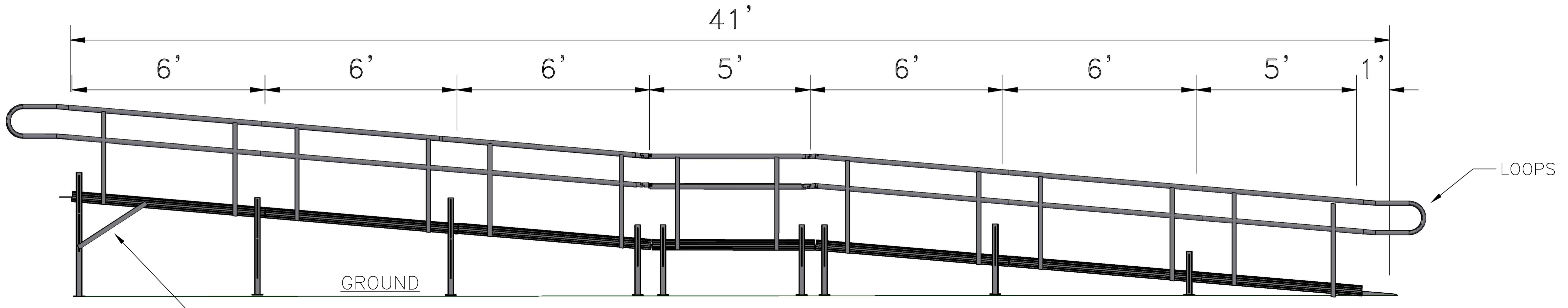


7/30/2020 9:50 AM N:\cod\ESTIMATOR DRAWINGS\PATRIOT STRAIGHT 36RISE 41FEET RAMP PLAN AND ELEVATIONS.dwg



PLAN
SCALE: 1/2"=1'-0"



SIDE ELEVATION
SCALE: 1/2"=1'-0"

REVISIONS	BY



AMERICAN ACCESS INC.
 3150 STAGE POST DRIVE, SUITE 101
 BARTLETT, TN 38133
 888-790-9269 TOLL FREE
 866-734-7267 FAX
 WWW.AARAMPS.COM

PATRIOT STRAIGHT 36RISE 41FEET RAMP
 PLAN AND ELEVATIONS

DRAWN DC
CHECKED GS
DATE 7.30.2020
SCALE
JOB NO.