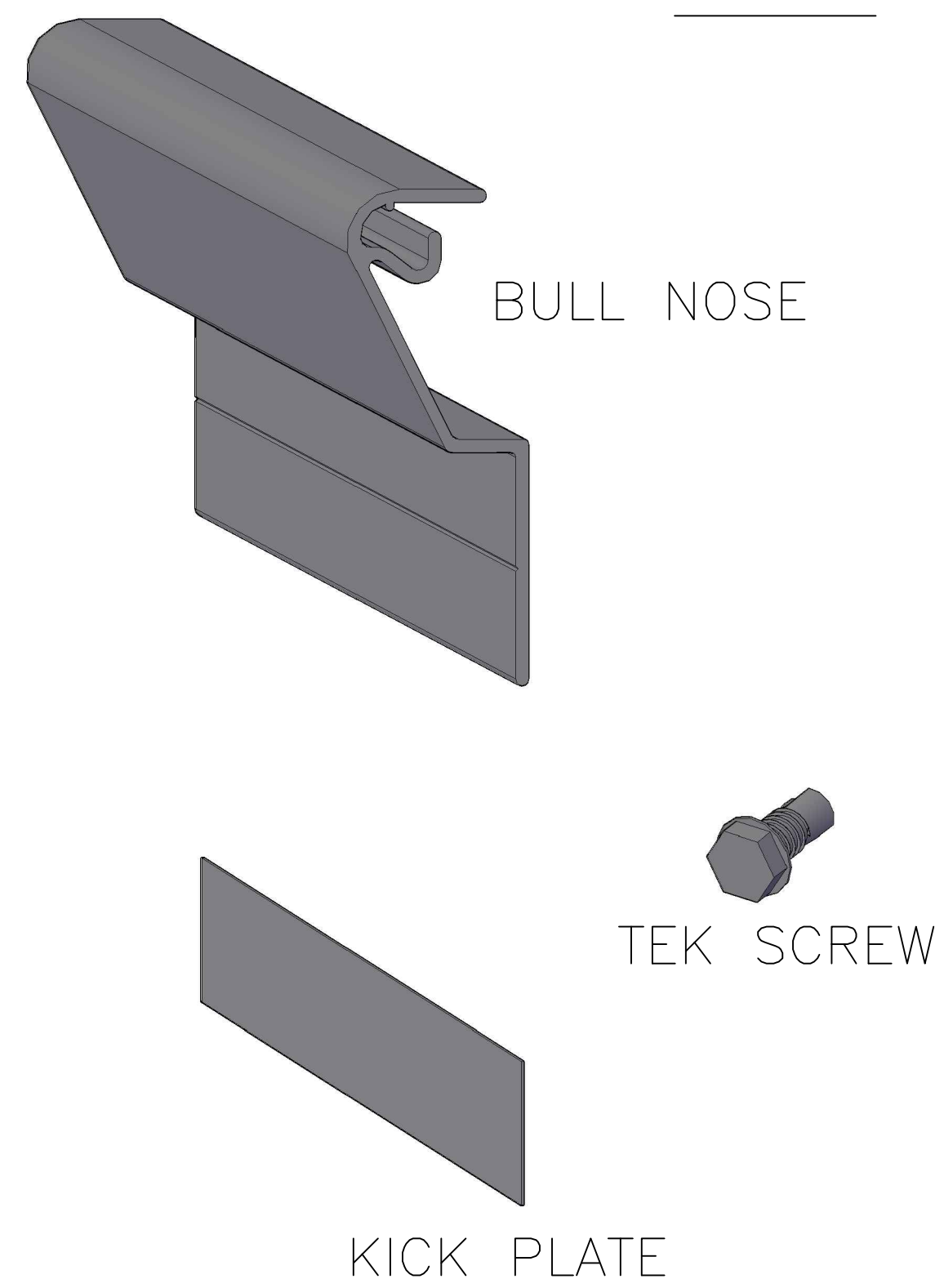


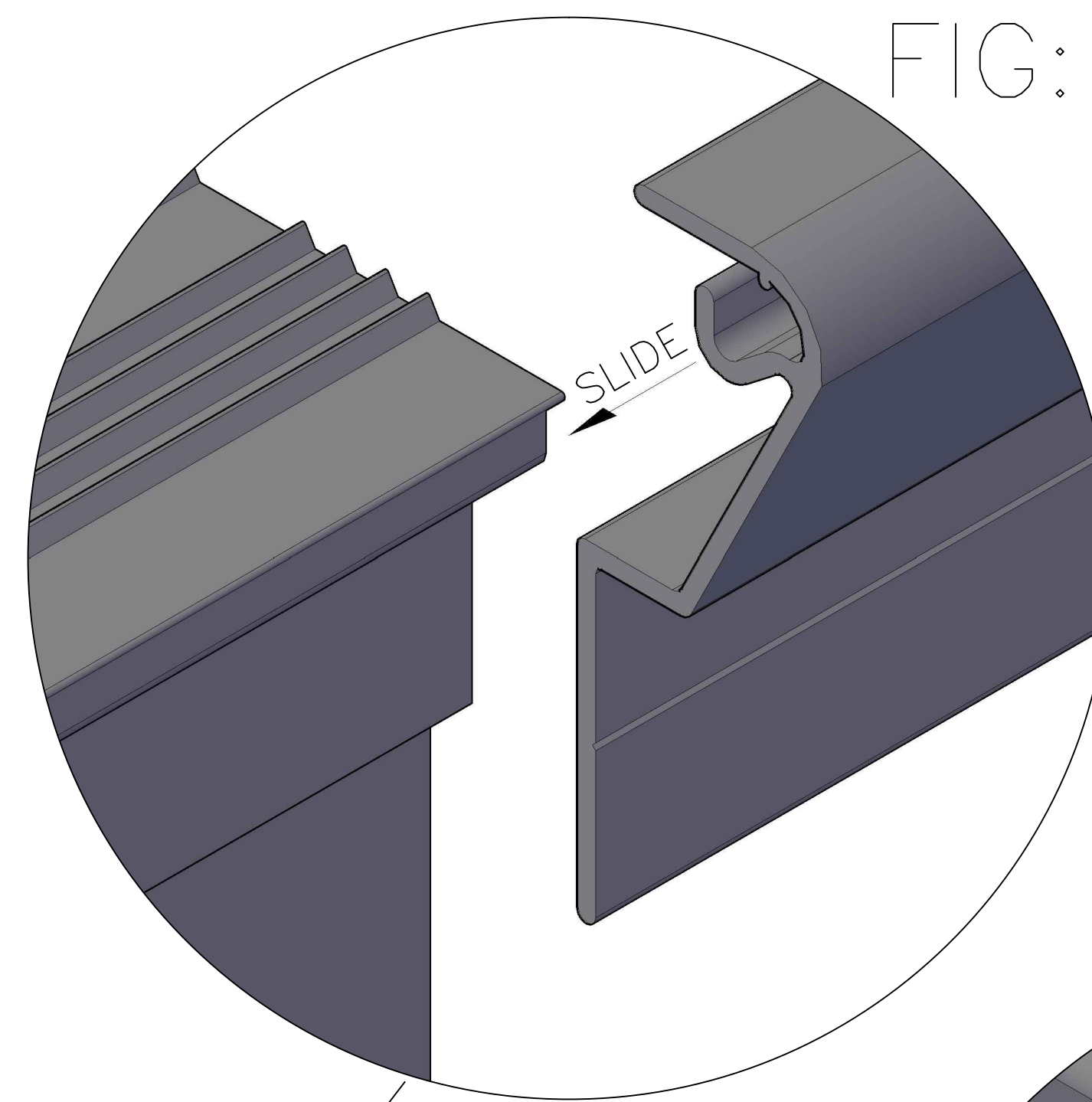
7/10/2018 10:52 AM \\SVRSERVICES1\CompanyShare\AmerAccess\ANATIONAL\CAD\ESTIMATOR DRAWINGS\KICK PLATE INSTALLATION ON COMMERCIAL STEPS.dwg

# KICK PLATE INSTALLATION

## PARTS



3D



BULL NOSE SLIDES OVER THE MALE TONGUE ON THE FRONT EDGE OF THE STEP.

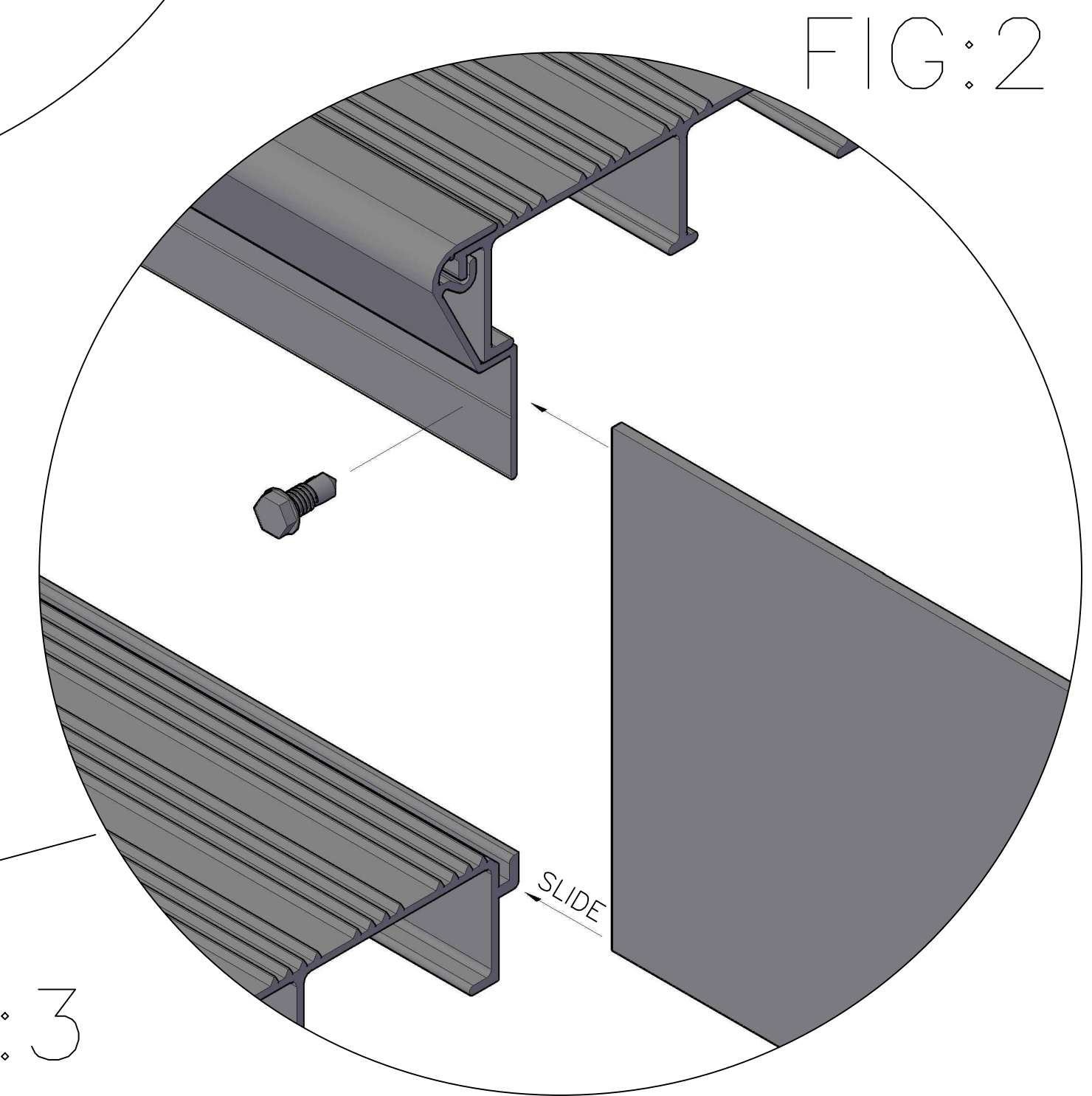
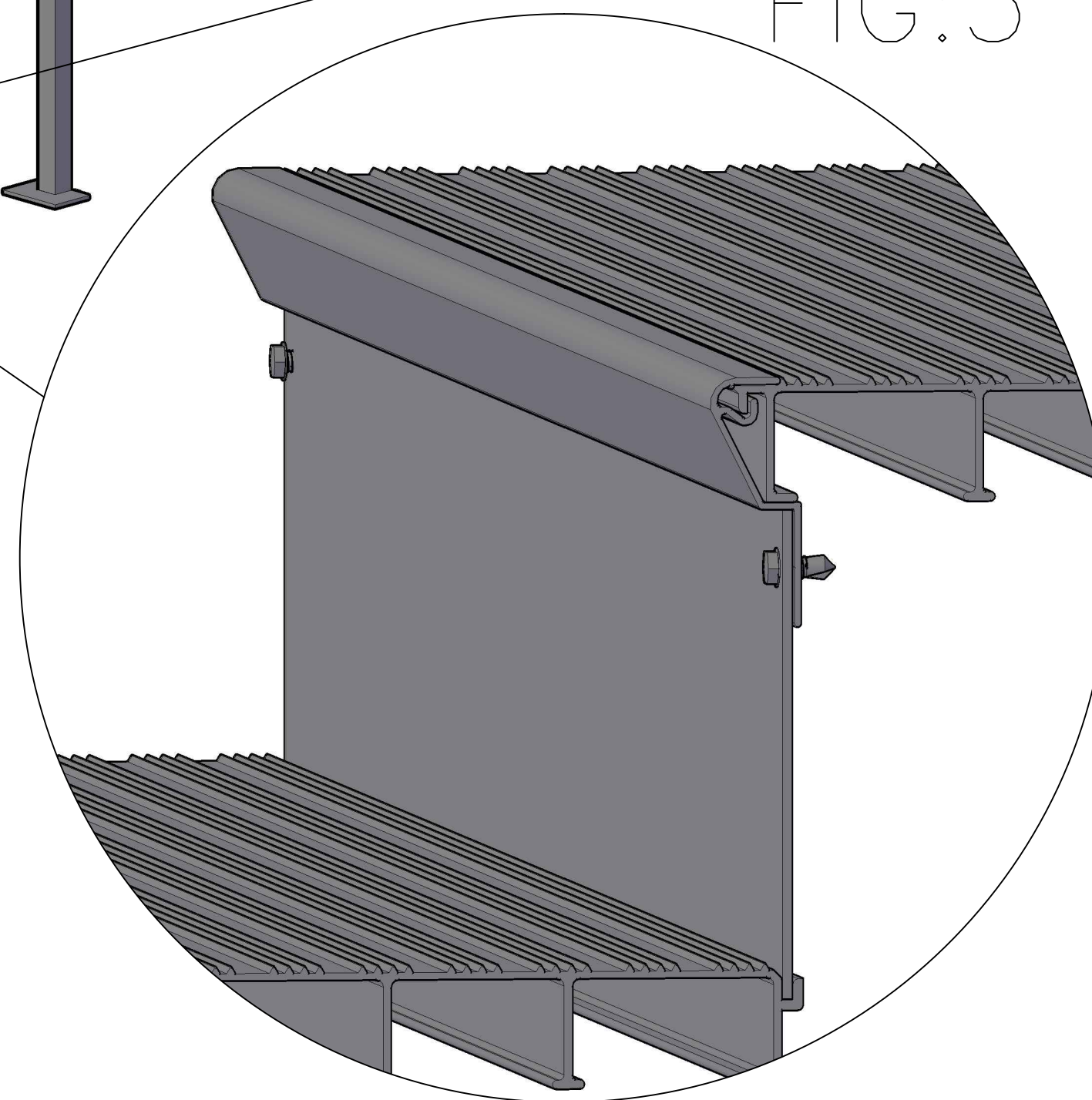
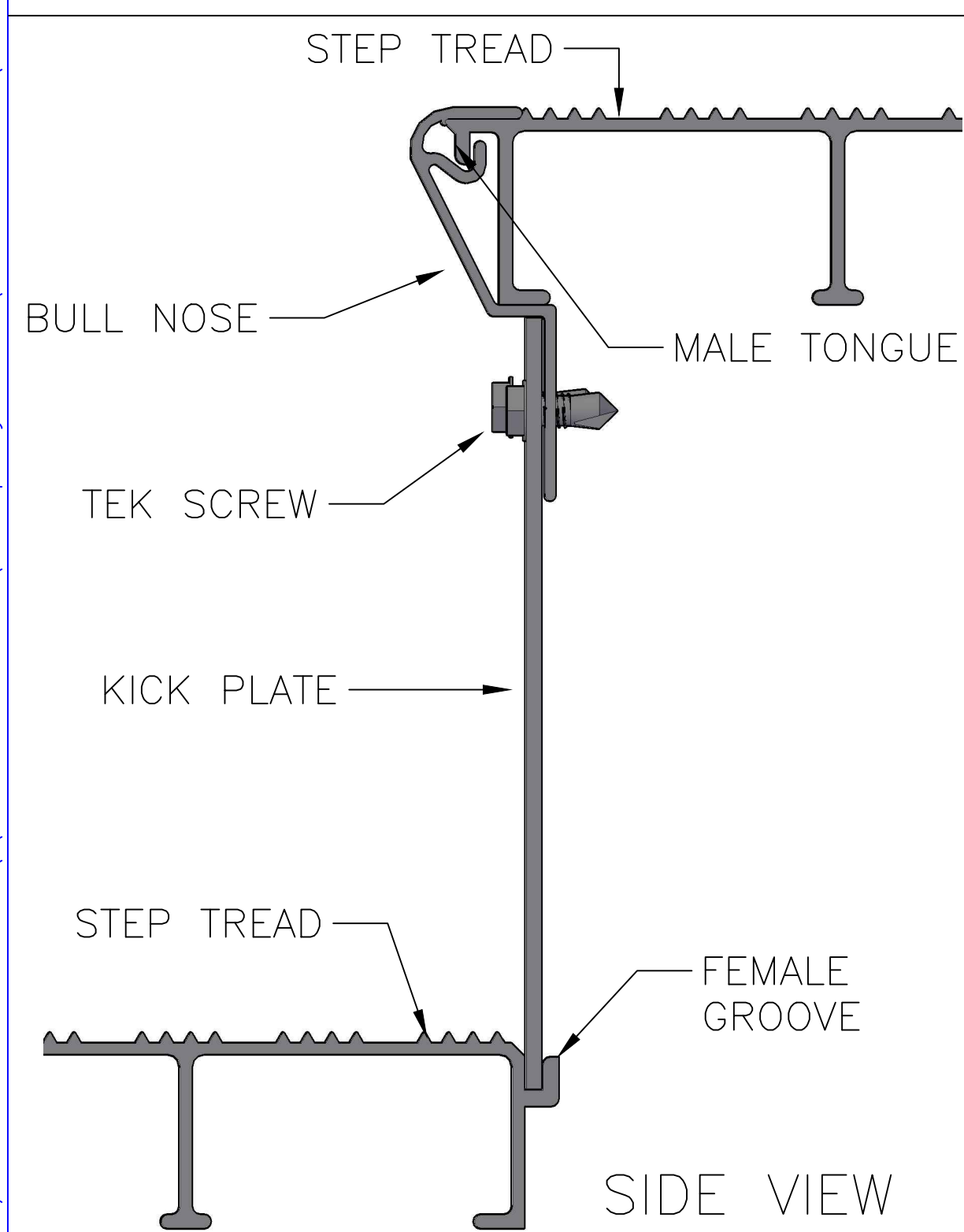


FIG:3



THE BOTTOM OF THE KICK PLATE SLIDES IN THE FEMALE GROOVE OF THE STEP UNDERNEATH. AFTER SLIDING THE PLATE ALL THE WAY THROUGH USE THE TEK SCREWS TO SECURE KICK PLATE. SCREW IN THE TOP EDGES OF THE PLATE TO ATTACH TO THE VERTICLE PART OF THE BULL NOSE THAT PROJECTS DOWN. THIS WILL SECURE THE PLATE IN PLACE.



REVISIONS	BY



AMERICAN ACCESS INC.  
 3150 STAGE POST DRIVE, SUITE 101  
 BARTLETT, TN 38133  
 888-790-9269 TOLL FREE  
 866-734-7267 FAX  
 WWW.AARAMPS.COM

KICK PLATE INSTALLATION ON COMMERCIAL STEPS

DRAWN DC
CHECKED BC
DATE 7.10.2018
SCALE
JOB NO.