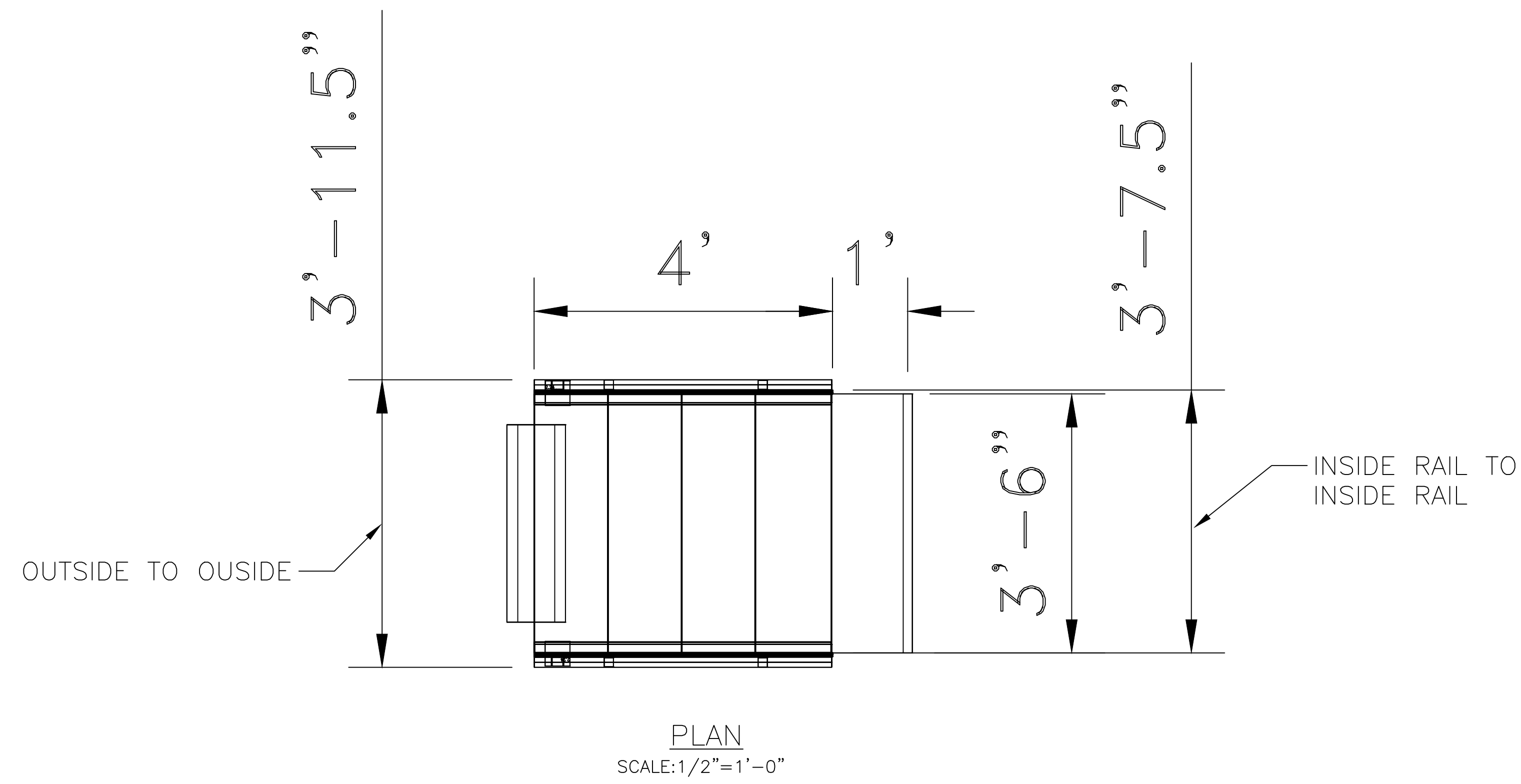
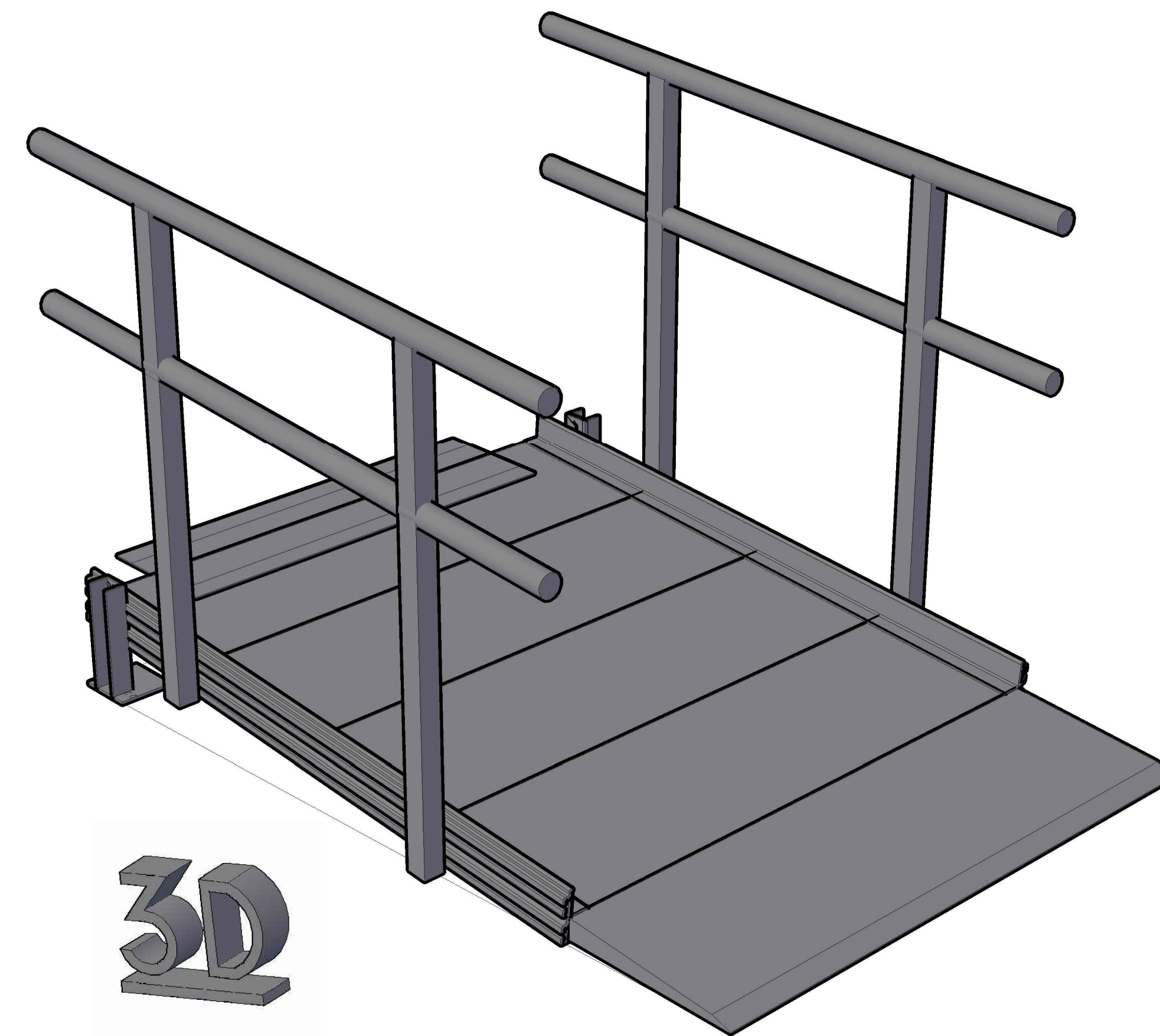
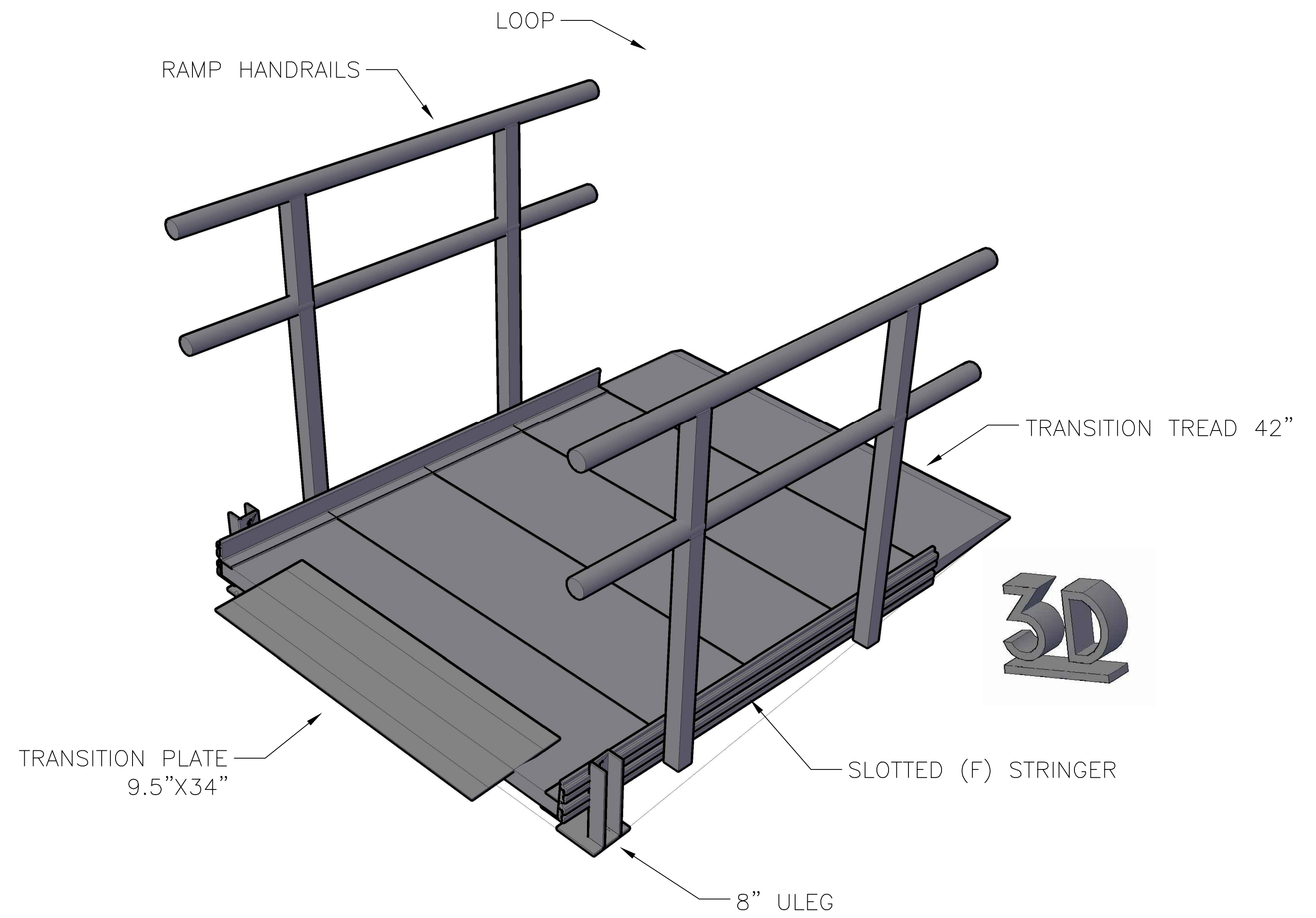
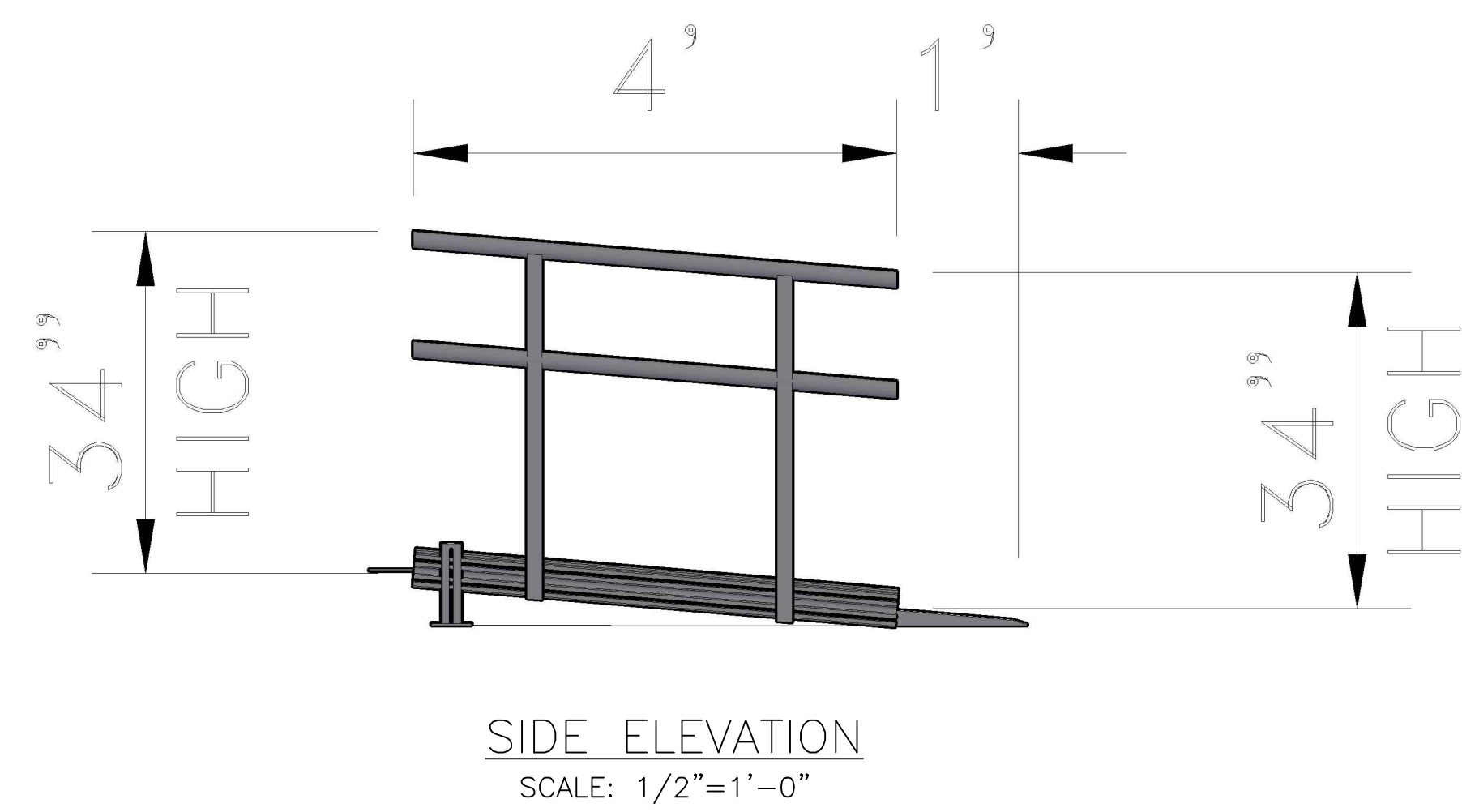


6/5/2017 11:41 AM \\SVRSERVICES1\CompanyShare\AmerAccess\ANATIONAL\CAD\cad\ESTIMATOR\_DRAWINGS\BIG\_LUG\_DRAWING\_WITH\_MEASUREMENTS.dwg



NOTE: BIG LUG RAMPS RANGES FROM 3'-6'.  
BIG LUG PICTURED IS A 5' BIG LUG.



REVISIONS	BY



AMERICAN ACCESS INC.  
3150 STAGE POST DRIVE, SUITE 101  
BARTLETT, TN 38133  
888-790-9269 TOLL FREE  
866-734-7267 FAX  
WWW.AARAMPS.COM

BIG LUG DRAWING WITH MEASUREMENTS

DRAWN DC
CHECKED BC
DATE 6.5.2017
SCALE
JOB NO.