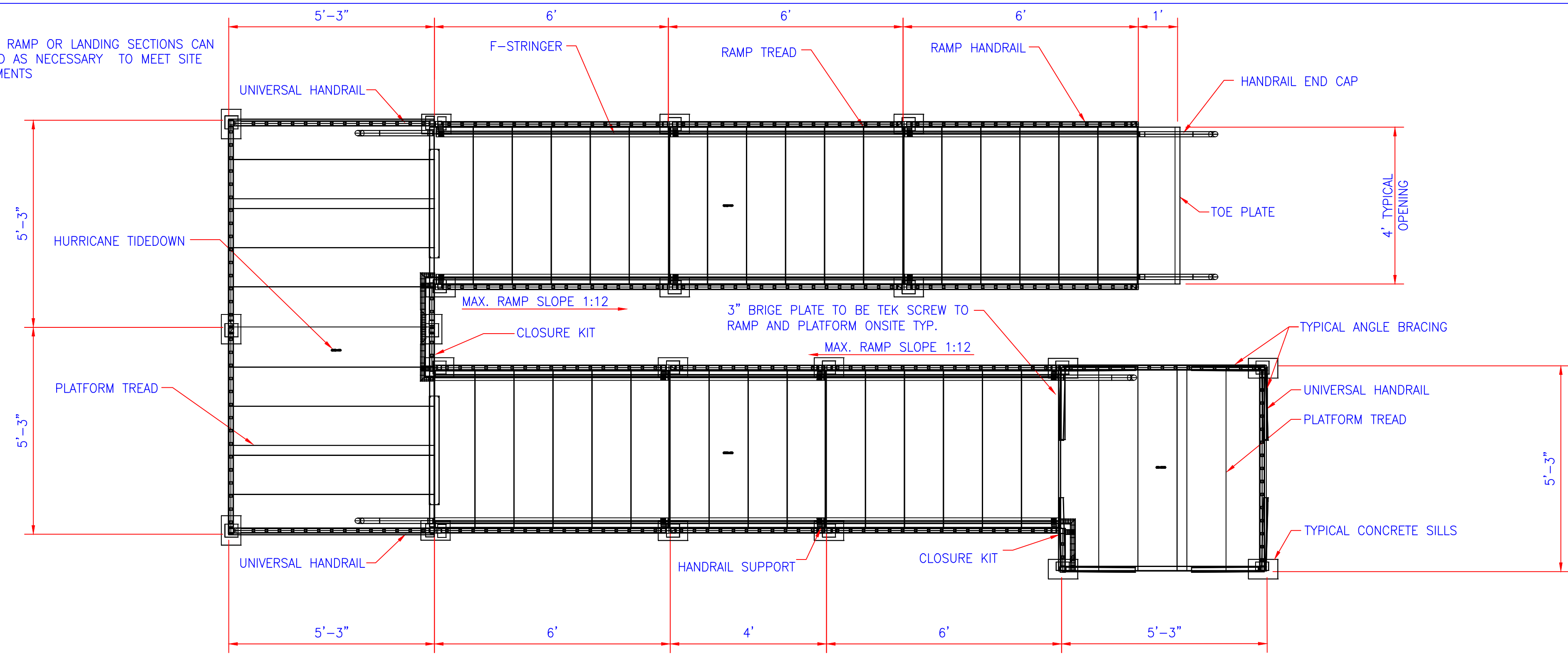
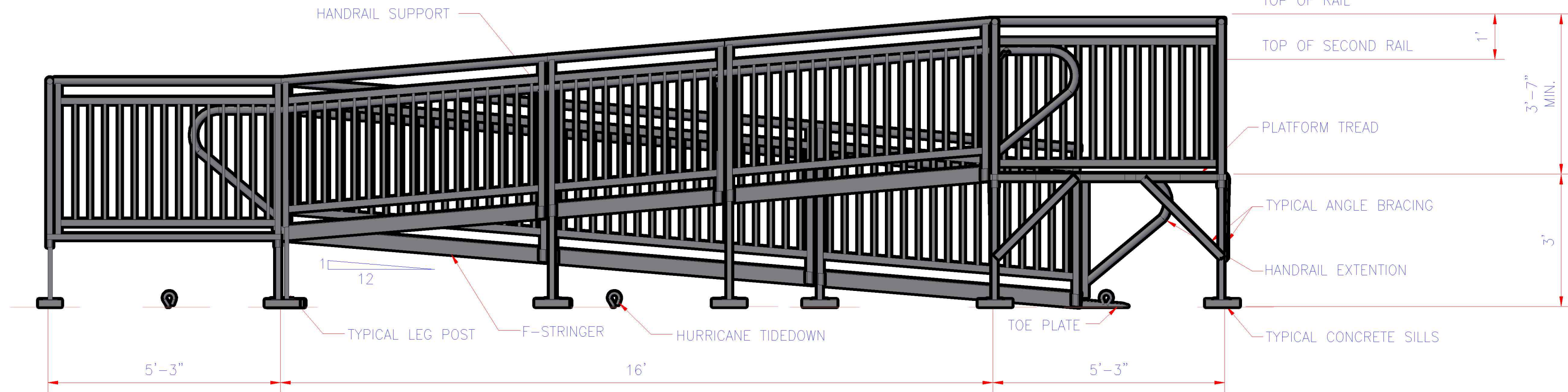


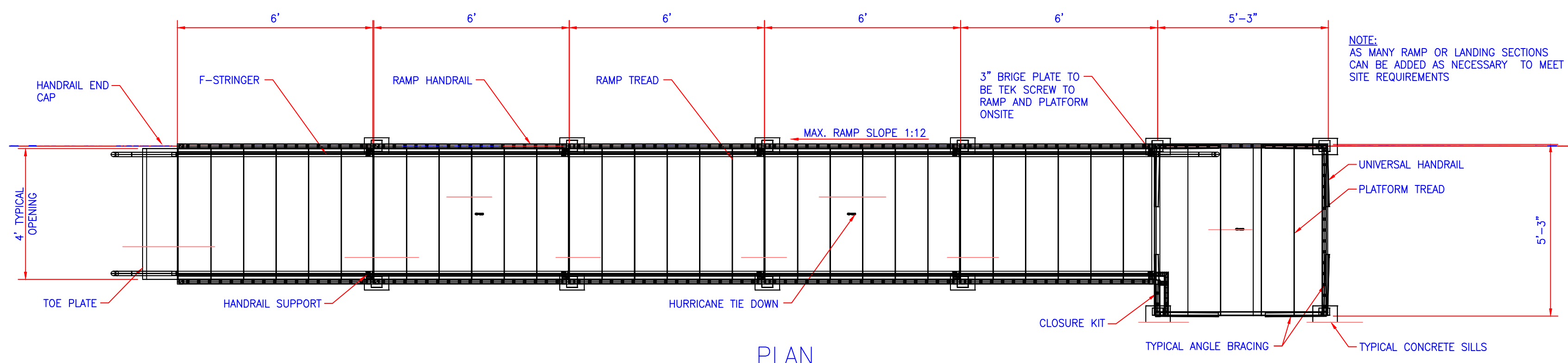
NOTE:
AS MANY RAMP OR LANDING SECTIONS CAN BE ADDED AS NECESSARY TO MEET SITE REQUIREMENTS



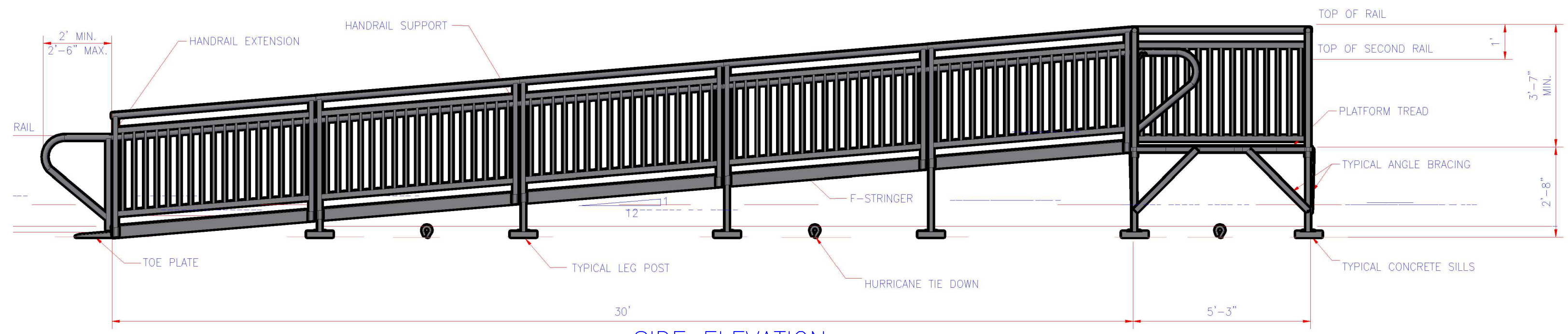
PLAN
SCALE: 1/2"=1'-0"



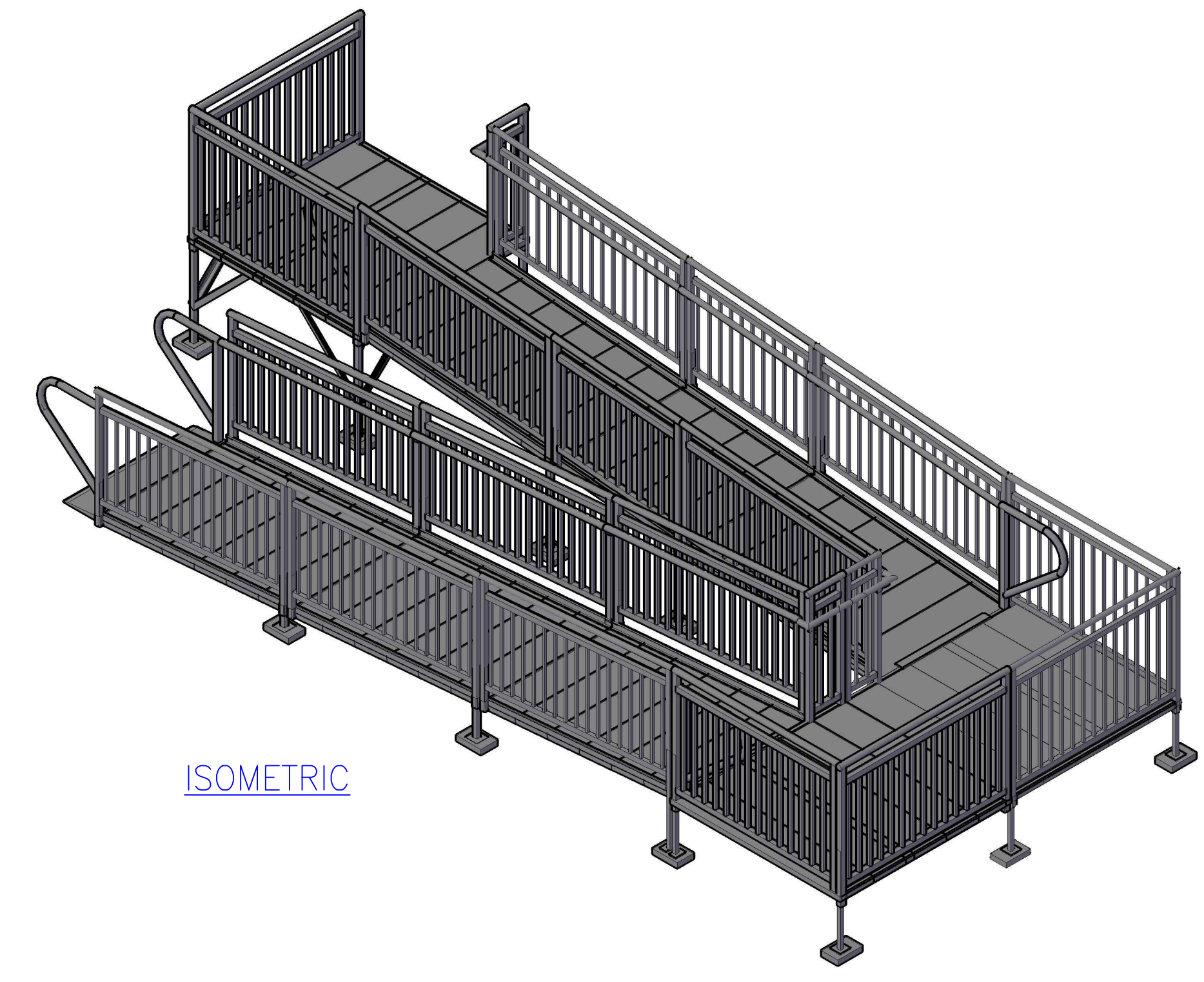
SIDE ELEVATION
SCALE: 1/2"=1'-0"



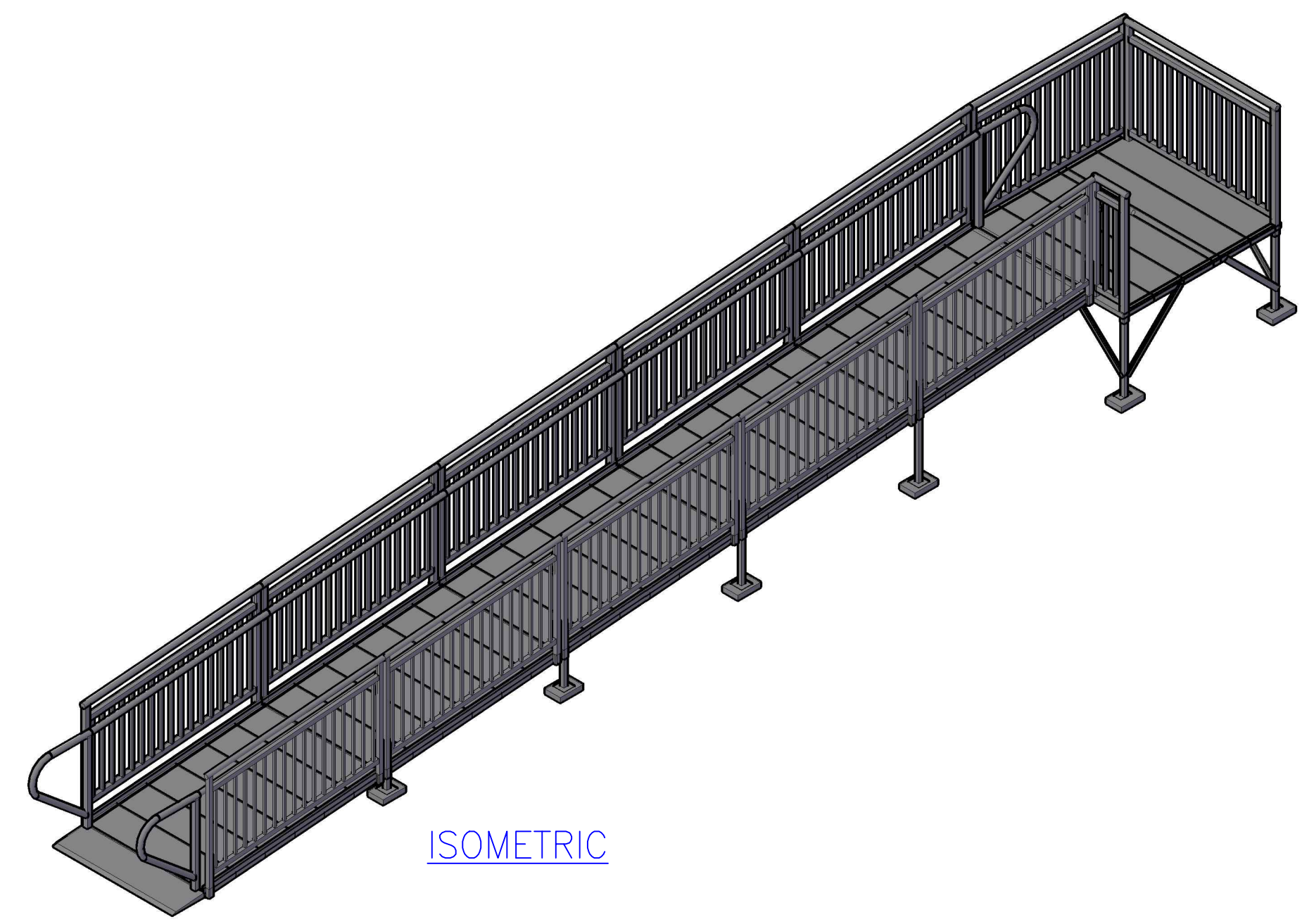
PLAN
SCALE: 1/2"=1'-0"



SIDE ELEVATION
SCALE: 1/2"=1'-0"



ISOMETRIC



ISOMETRIC

REVISIONS	BY



AMERICAN ACCESS INC.
3150 STAGE POST DRIVE, SUITE 101
BARTLETT, TN 38133
888-790-9269 TOLL FREE
866-734-7267 FAX
WWW.AARAMPS.COM

2 COMMERCIAL TURN BACK AND
STRAIGHT RAMP PLAN AND ELEVATIONS

DRAWN	DC
CHECKED	BC
DATE	9.11.2017
SCALE	
JOB NO.	

9/11/2017 3:30 PM B:\COMMERCIAL\Commercial Ramp Drawings\2 COMMERCIAL TURN BACK AND STRAIGHT RAMP PLAN AND ELEVATIONS.dwg