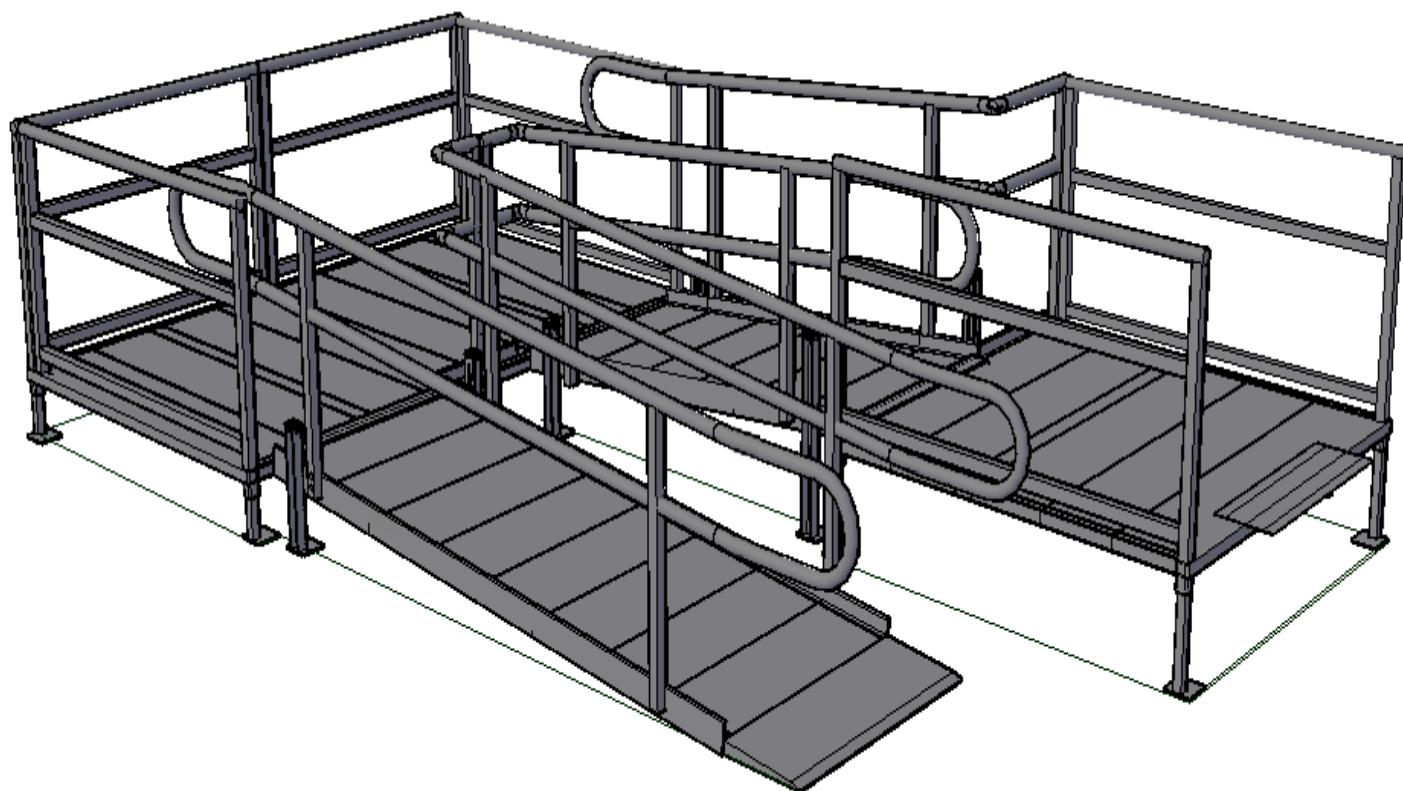


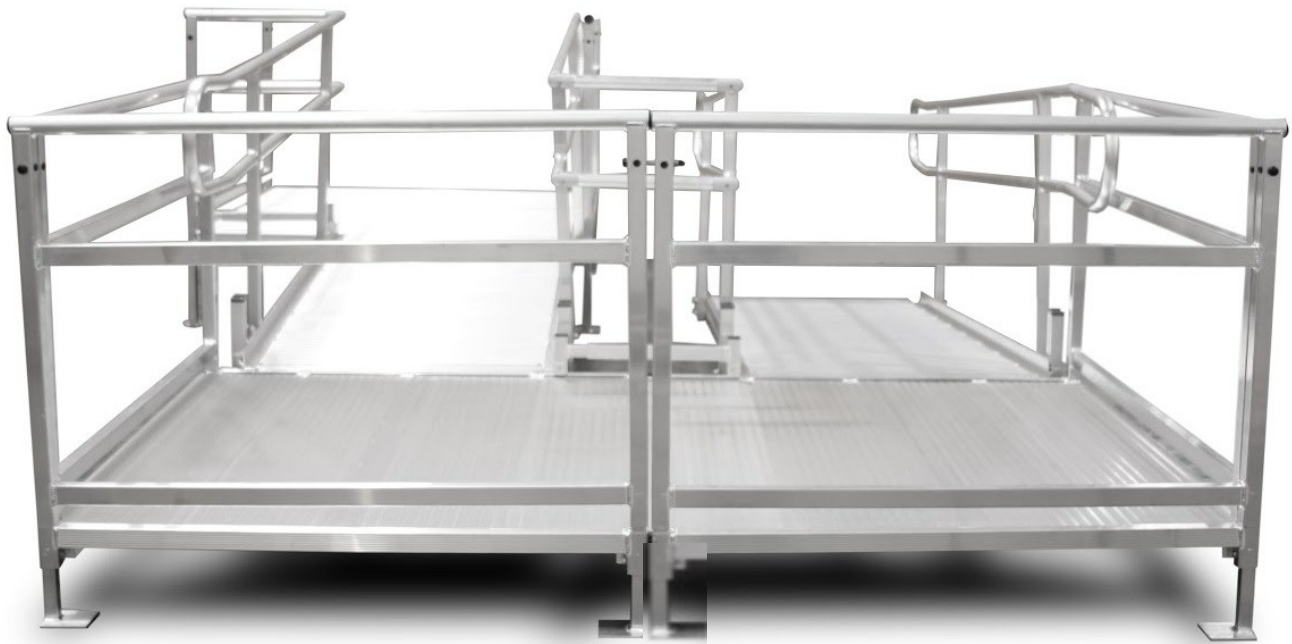


Modular Ramp Installation Manual





PATRIOT



American Access



CONTENTS

FOR THE AMERICAN ACCESS “PATRIOT” RAMP SYSTEM

TABLE OF CONTENTS	3
ASSEMBLY MANUAL INSTALLER AND END USER NOTES	4
IMPORTANT PROCEDURES	5a
HARDWARE CONTENT REVIEW	5b-7
HARDWARE FOR RAMPS AND PLATFORMS	8
PARTS & ACCESSORIES	9
REQUIRED AND RECOMMENDED TOOLS	10
RAMPS, PLATFORMS AND HANDRAIL SIZES DEFINED	11
PLATFORM EXAMPLES & OPTIONAL USES	12
PLATFORM RAIL DEFINITIONS - <u>IMPORTANT</u>	13
PLATFORM & RAMP IDENTIFIERS	14
PLATFORM CONFIGURATIONS AND PART IDENTIFIERS	15-18
PLATFORM SETUP	19
PLATFORM & RAMP CONNECTION	20
RAMP LEG ASSEMBLY	21
RAMP RUN ASSEMBLY	22
PLATFORM HANDRAIL ASSEMBLY	23
PLATFORM HANDRAIL CLOSURE KIT	24-25
TURNBACK RAILS, LOOPS AND CLOSURES	26
TURNBACK PLATFORM ASSEMBLY	27
RAMP RAIL ASSEMBLY	28
STOP-N-REST INSTALLATION & PHOTOS	29-30
LOOP ASSEMBLY	31
END TRANSITION TREAD ASSEMBLY	32
INSTALLATIONS OVER 30”	33
HURRICANE TIE DOWN INSTALLATION	34-35
FINAL CHECKS AND PERIODIC MAINTENANCE	36
WINTER CARE	37
WARRANTY REGISTRATION	38
CONTACTS AND OTHER ITEMS SOLD BY AMERICAN ACCESS	39

ASSEMBLY MANUAL



FOR THE AMERICAN ACCESS “ PATRIOT “ SYSTEM

LOCAL BUILDING CODES:

It is the responsibility of the homeowner to check with local building code authorities before installing a modular aluminum ramp.

ATTENTION INSTALLER:

- Prior to assembly, read and install the modular ramp system per the following installation instructions
- Read “PERIODIC MAINTENANCE AND SAFETY TIPS” section prior to ramp assembly.
- 1,000 lb. weight capacity
- For residential use only
- Review safety features and instructions with end user and leave Assembly Manual with them

ATTENTION END USER:

- 1,000 lb. weight capacity
- Residential use only
- Please read and become familiar with the “PERIODIC MAINTENANCE AND SAFETY” information. If you need to obtain a new copy please contact Customer Service at 888-790-9269.
- Fill out and return the warranty information

VIEW PACKING LIST: Each ramp system is shipped with a packing list. Be sure to check that all items and tools are present before starting installation. If you are missing the packing list, please call Customer Service at 888-790-9269 to obtain one before beginning installation.

In addition to your ordered hardware, we have included a courtesy Hardware Care Package (HCP) with the most commonly used hardware parts. Some systems may end up with a small amount of “extra” hardware. This hardware may be kept for spare parts.



IMPORTANT PROCEDURES

FOR THE AMERICAN ACCESS SYSTEM

Please take note that your ramp system may have several different leg types and sizes, ramp sizes and even platform sizes.

INSTALL NOTES:

- ⇒ The “PATRIOT” system uses **2 styles of leg** supports.
 - The ramps use a UCHANNEL style
 - The platforms use a SQUARE TUBE design
- ⇒ MOST residential ramp systems will be **36” wide** with **2’, 3’, 4’, 5’, 6’,** and **8’** long ramp sections.
- ⇒ When a ramp is connected to or pushed against a platform, **U-legs and a bridge plate** must be installed. Please refer to installation manual for details.
- ⇒ We highly recommend that you lay out your parts until you become more comfortable and familiar with them.
- ⇒ Please evaluate and take notice of the components you have for the layout design you have purchased. If you are still unclear and need assistance after your evaluation, please call customer service and we will be glad to help.

888-790-9269 Mon-Fri 8am - 5pm Central time

- ⇒ Lay out all your leg supports so you can identify tallest to shortest. This will allow you to install your modular ramp at a quicker pace.

Important Note: There may be times that you have a tall starting height, but because the first ramp or platform begins on a porch or over a set of steps, you will be using shorter legs at that point, then once you clear these obstacles, you will begin using the taller legs.

- ⇒ Your ramp system will also come with handrail loops. Loops are used when the ramp terminates on platforms or at the end of the ramp.
- ⇒ Once you have laid out your components and identified them, you may begin your installation.

MAIN HARDWARE FOR THE AMERICAN ACCESS “PATRIOT” SYSTEM:

The hardware used on the “PATRIOT” system is 3/8” Zinc Grade 5 requiring a 9/16” socket:

- **RHPN Ramp Hardware Packet**
 - ⇒ 4 3/8” 16 - 1” Carriage Bolt for support U-Legs
 - ⇒ 8 3/8” 16 - 2 1/4” Carriage Bolt for Handrails
 - ⇒ 12 3/8” 16 - Flange Nut
- **PHP Platform Hardware Packet**
 - ⇒ 3 3/8” -16 - 4.5” SS Bolt
 - ⇒ 4 3/8” - 16 - 1/2” SS Bolt
 - ⇒ 3 3/8” SS nuts
 - ⇒ 6 3/8” SS washer
 - ⇒ 11 #14 Tek Screw
 - ⇒ 16 Black Plugs for post holes
 - ⇒ 2 Rail post stabilizer (u channel)

- **TSHP** **Top Support Hardware Pack** - (used for extra 2 legs per ramp when required)
 - ⇒ 4 3/8" 16 - 1" Carriage Bolt for support U-Legs
 - ⇒ 4 3/8" 16 - Flange Nut
- **PSCK** **"Patriot" Series Closure Kit** *(Parts interchangeable with XM & Patriot Series)*
 - ⇒ 1 **PSCKH**—Patriot Series Closure Kit Hardware Pack *(Parts interchangeable with XM & Patriot Series)*
 - ⇒ 1 19" x 1" x 2" Angle for CURB USE
 - ⇒ 1 Handrail Loop
 - ⇒ 1 Bridge Plate
- **PSCKH** **"Patriot" Series Closure Kit Hardware *** *(Parts interchangeable with XM & Patriot Series)*
 - ⇒ 2 1 1/2" handrail tube pivot swivel connectors (grey plastic) *
 - ⇒ 2 1.34" x 5" aluminum tube inserts with rubber "O" ring
 - ⇒ 7 #14 x 1" Tek Screw SS Hex Head—secure pivot and SCH to rail
 - ⇒ 12 #8 x 3/4" Tek Screw Pan Head Philips

* **Note:** *pivot swivels require a 5/32 allen wrench to tighten them.*
- **RSK** **Ramp Starter Kit**
 - ⇒ 1 TT36 - Transition Tread 36" x 12" for entrance to ramp system
 - ⇒ 1 TP - Transition Plate 9.25" x 32" for transition from ramp to deck, porch, etc..
 - ⇒ 2 PSLOOP - End Handrail Loops
 - ⇒ 1 RSKH - Ramp Starter Kit Hardware Pack
 - ⇒ 1 CAPHP - (8) 1 1/2" Black Round Plastic End Cap for 1.5" handrails
- **RSKH** **Ramp Starter Kit Hardware**
 - ⇒ 8 #8 x 3/4" Tek Screw Pan Head Philips
 - ⇒ 4 #14 x 1" Tek Screw SS Hex Head
 - ⇒ 4 1.34" x 5" round aluminum rail insert (loop attachment use)
 - ⇒ 1 **CAPHP** (8 pack of 1 1/2" round black caps for rails as needed)

Hardware Package Content Review

FOR THE AMERICAN ACCESS  SYSTEM

MAIN HARDWARE USED AS FOLLOWS:

The hardware used on the “PATRIOT” Ramp system is 3/8” Zinc Grade 5 requiring a 9/16” socket, 3/8” driver head and a philips head screwdriver:

- **SCH** **Sleeve Connector Hardware**
 - ⇒ 4 1.34” x 5” aluminum tube inserts with rubber “O” ring
- **HCPP** **Hardware Care Package Patriot (spare parts) - also used for XM series**
 - ⇒ 1 5/32 Short Arm Hex Allen Wrench
 - ⇒ 2 3/8” - 16 x 2 1/4” Carriage Bolt for ramp rails
 - ⇒ 2 3/8” - 16 x 1” Carriage bolt for Ulegs
 - ⇒ 1 1/4” - 20 nylon insert - connecting pivot swivel halves
 - ⇒ 1 1/4” - 20 x 1” button cap screw - connecting pivot swivel halves
 - ⇒ 4 3/8 - 16 Flange Nut
 - ⇒ 2 1 1/2” Black Round Plastic End Cap for 1.5” handrails
 - ⇒ 1 3/8” - 16 - 4.5” SS bolt, platform handrail use
 - ⇒ 1 3/8” - 16 - 1/2” SS bolt, platform leg socket use
 - ⇒ 1 3/8” - SS nut
 - ⇒ 2 3/8” - SS washer
 - ⇒ 6 #14 x 1” Tek Screw



ALL hardware should be tightened at a torque rate of 40 ft. lbs. for final assembly.

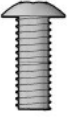
*Pushing or pulling the handle of a wrench connected to a nut or bolt produces a **torque** (turning force) that loosens or tightens the nut or bolt. If using a 12 volt Hitachi impact wrench (Hitachi WH12DMR) it will produce 90 ft lbs. of torque.*



Included Ramp Hardware

** = Optional hardware depending on ramp layout*

* 1/4" x 1" cap screw



#8 x 3/4" TEK screw



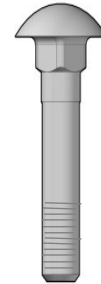
* #14 x 1" TEK screw



Use to Install U-Leg
3/8" -16 x 1" carriage



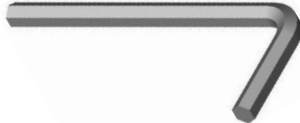
Use to Install Handrail
3/8" -16 x 2 1/4" carriage bolt



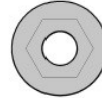
* 1/4" Nylon Insert



* 5/32" short arm Hex Allen Wrench



3/8" Flange Nut



Included Platform Hardware

Use to cross-bolt two Handrails
3/8" - 16 - 4.5" SS bolt



3/8" - 16 - 1/2" SS bolt



3/8" - 16 - SS nut



3/8" - SS flat washer



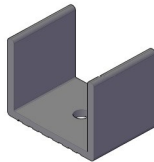
* #14 x 1" TEK screw



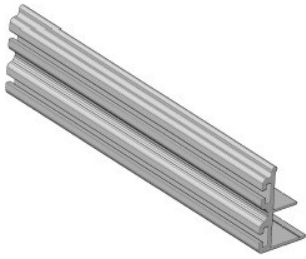
5/8" plastic plug



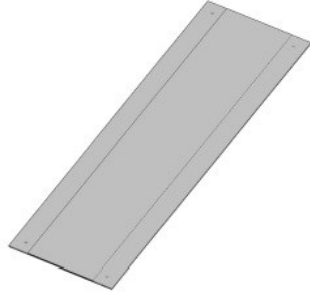
Aluminum Rail U-stabilizer



Parts and Accessories



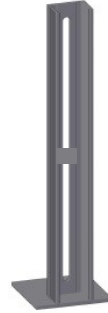
Slotted "F" Stringer



TP - Transition Plate 9.5"x34"
TPL - Transition Plate Large 12"x34"



TT36 - Transition Tread 36"



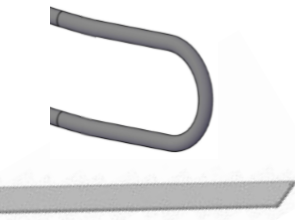
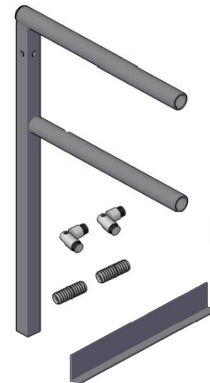
ULEG (varying sizes)



Platform Leg - (varying sizes)



BP - Bridge Plate 3" x 32"



PSCK
For Patriot or XM Series
Closure Kit



Handrail Sleeve Connector
1.34" x 5" aluminum tube inserts with rubber "O" ring



Black Handrail Cap



PSK (2 per)



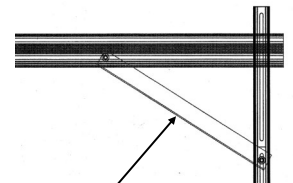
Platform Handrails



Ramp Handrails



Loop



ASB
Angle Support
bracket

Install Note:

- Platform Angle is 1.5" x 1.5"
- Ramp Angle is 1" x 2" with holes on each end

Required Tools

Cordless Drill
Ex. DeWalt Cordless Drill



Ratchet and 9/16" & 1/2" socket



Philips driver to fit TEK screws



30' or larger tape measure



Rubber Mallet



4' Level



2" tube cutter for aluminum



50' string and line level or laser level



Optional Impact Wrench for faster install time

Ex. Hitachi impact wrench



25 lb. sand for leveling pavers



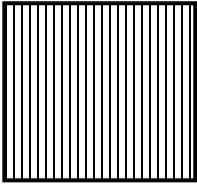
Small Spade for aid in ground work to level pavers as needed



Portable Sawzall

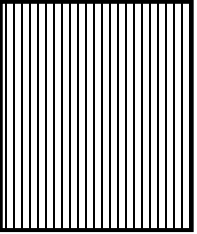


Platforms, Ramps and Handrails



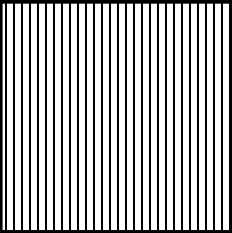
4' X 4'

Universal—Straight runs or 90° turns



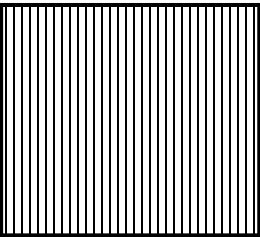
4' X 5'

90° turns, 180° turns using (2), 4' straight through or 5' straight through.



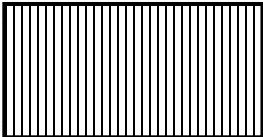
5' X 5'

Universal—Straight runs or 90 degree turns or multiple combined for larger landings



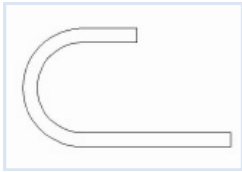
5' X 6'

90° turns, 180° turns using (2), 5' straight through or 6' straight through or multiple combined for larger landings.



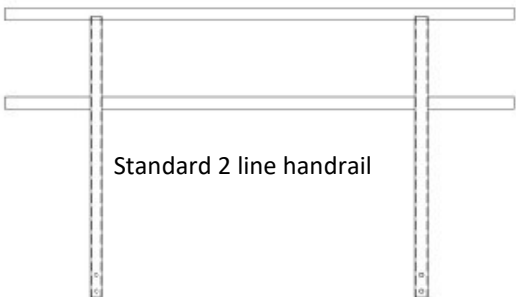
RAMPS

RAMPS
36" wide—2', 3', 4', 5', 6', and 8'
48" wide—2', 3', 4', 5' and 6'



Picket Rail Loop

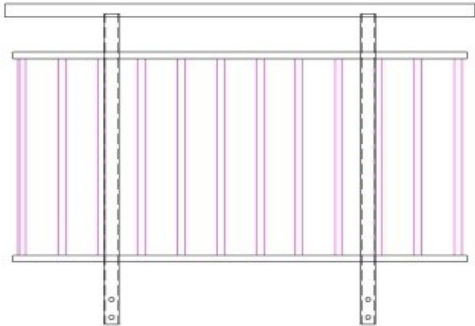
34" tall residential 4" on center picket rail



Standard 2 line handrail

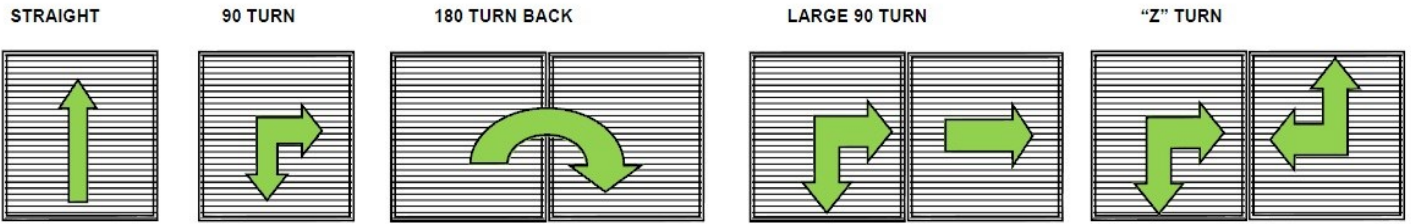


Patriot & XM Ramp Loop



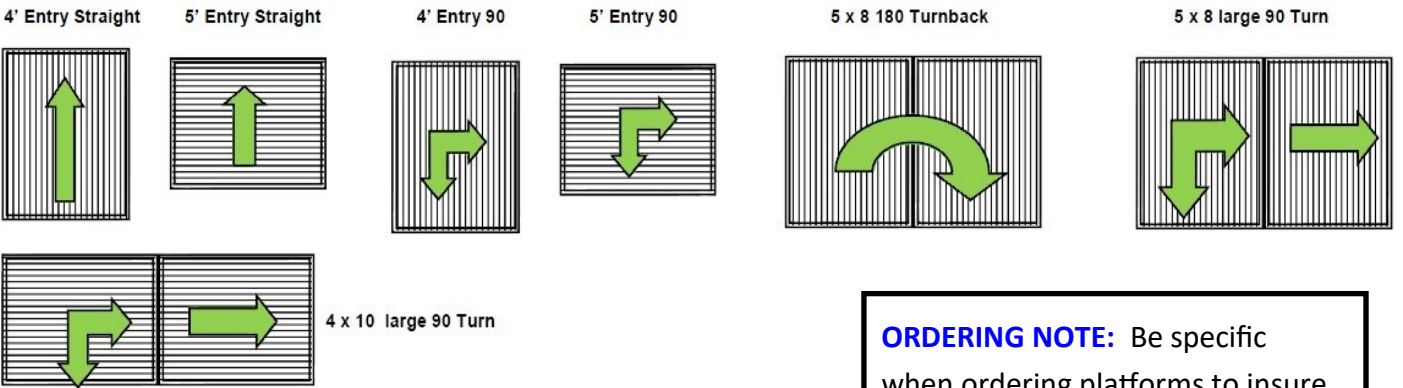
Platforms Examples and Optional Uses

4' x 4' and 5' x 5' Platform Layout Options



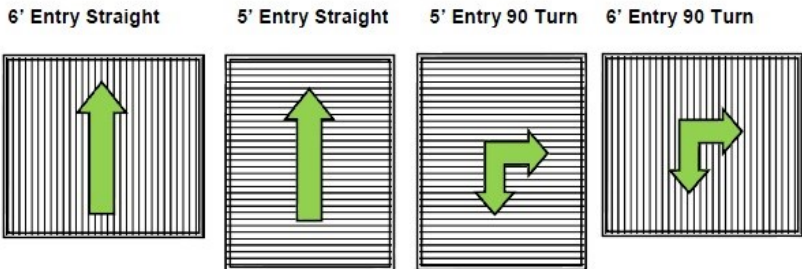
4' x 5' Platform Layout Options

NOTE - Be specific when ordering platforms below to insure proper rails are shipped for your desired use.*



ORDERING NOTE: Be specific when ordering platforms to insure proper rails are shipped for your desired use.

5' x 6' Platform Layout Options



- ◆ One (1) closure kit is included with the purchase of each platform.
- ◆ Additional closure kits can be purchased separately.



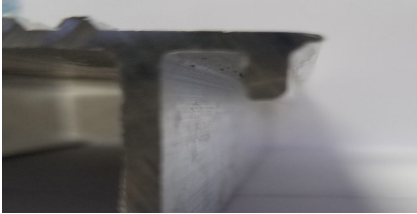
Platform Rail Definitions - IMPORTANT

INSTALL NOTE: YOUR PLATFORM RAILS ARE DIFFERENT THAN YOUR RAMP RAILS

The Platform rails on the "PATRIOT" system are installed by sliding the proper length rail OVER the exposed leg on the corners of the platform.

As noted in the platform drawings on pages 15-18, there are 4 sizes of platform rails.

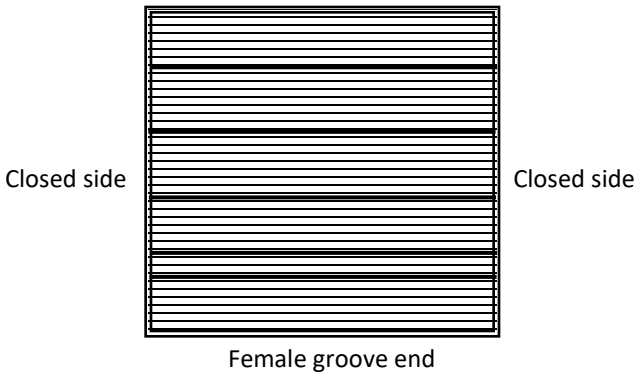
First let's define "Closed" and "Open" sides of the platform.



Male lip end

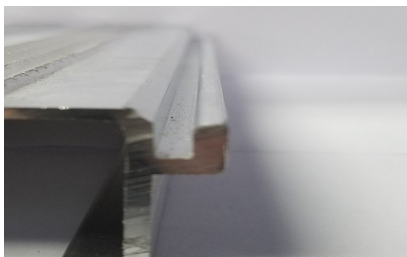
The "OPEN" side is either where the Female groove or Male lip are showing.

The "CLOSED" side is capped off with an aluminum C channel to cover the open end of the treads.



(Example of a Universal Rail on a 5x5 turn platform)

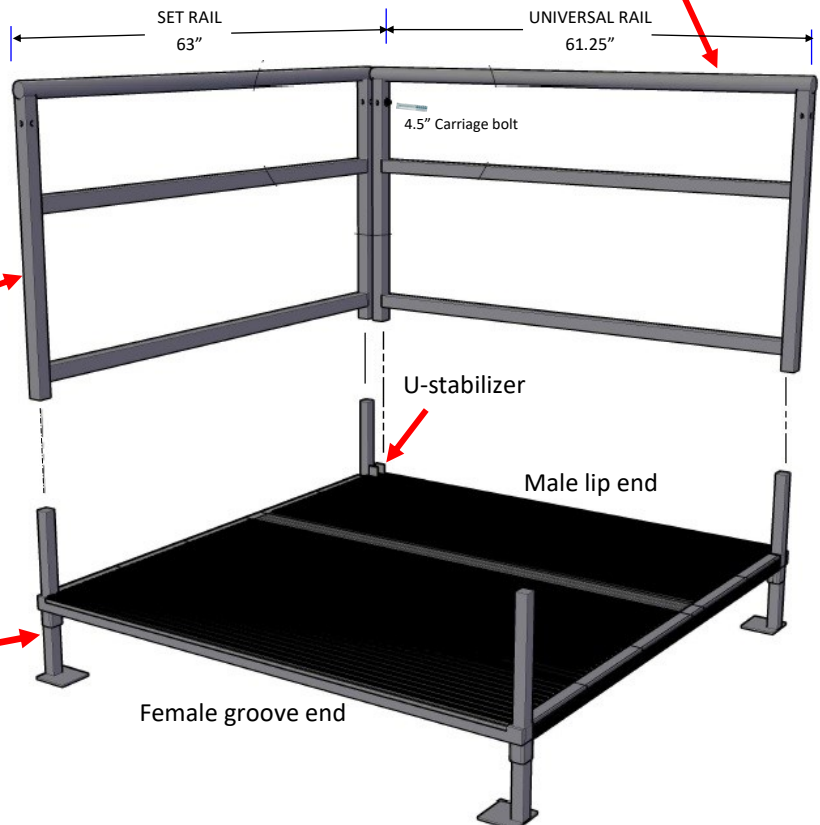
UNIVERSAL RAIL - 1 side of rail goes over a platform leg and the other side, tech screw into a rail stabilizer (U-shaped) and butts against the other rail or closure kit
Top rail is 61.25" long



(Example of a Set Rail on a 5x5 platform)

SET RAIL - rail goes **platform leg over platform leg** on the closed side of the platform.

Top rail is 63" long



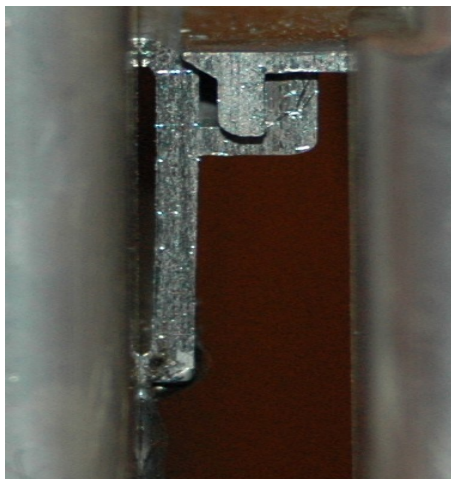
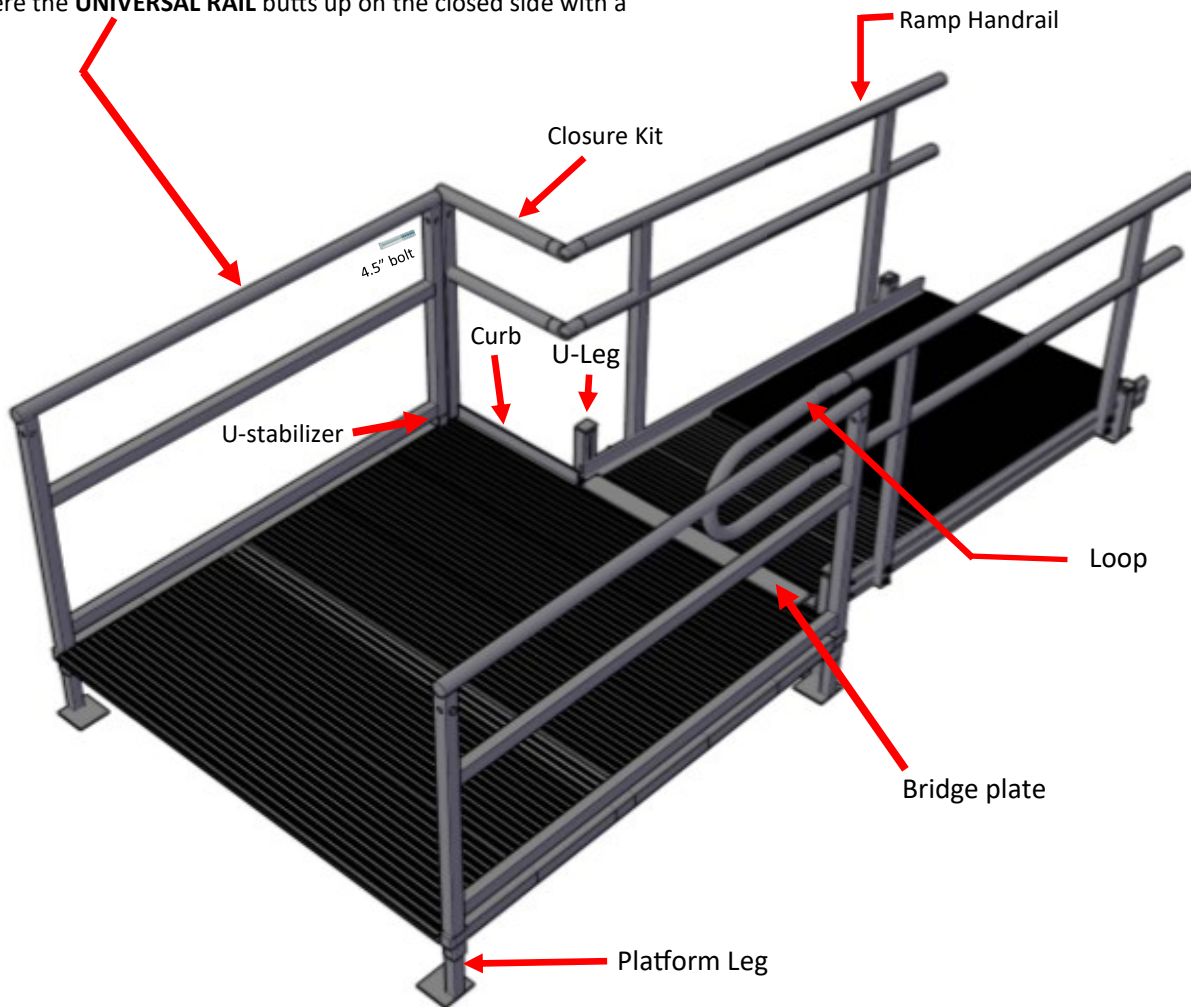
Platform Leg
Goes up through welded socket on the platform

(Example of Universal Rail on a straight through platform)

UNIVERSAL RAIL - goes over 1 platform leg and butts against the other rail or closure kit tech screwed into the rail U-stabilizer.

Top rail is 61.25" long

Shown here the **UNIVERSAL RAIL** butts up on the closed side with a Closure



Platforms are designed to connect to one another to make different sizes for different applications.

We offer 4 different platform sizes:

- 51" x 51" platform (4' x 4')
- 63" x 51" platform (5' x 4')
- 63" x 63" platform (5' x 5')
- 72" x 63" platform (6' x 5')

By combining the different sizes you can create a platform that will best fit your need.

PLATFORM CONFIGURATIONS AND PART IDENTIFIERS

5 X 5 Platform Rails: (Turning Surface 60" - Outside socket to socket is 63")

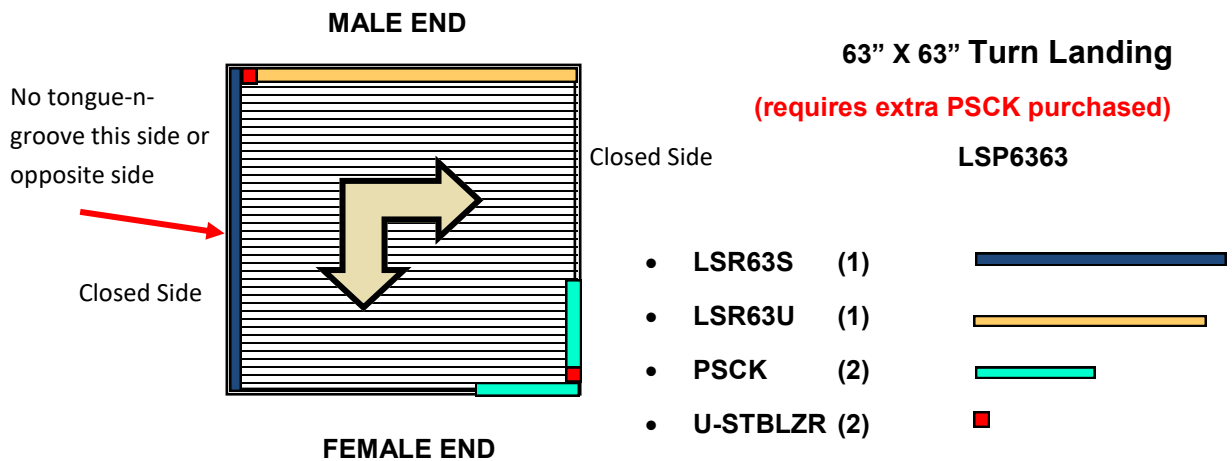
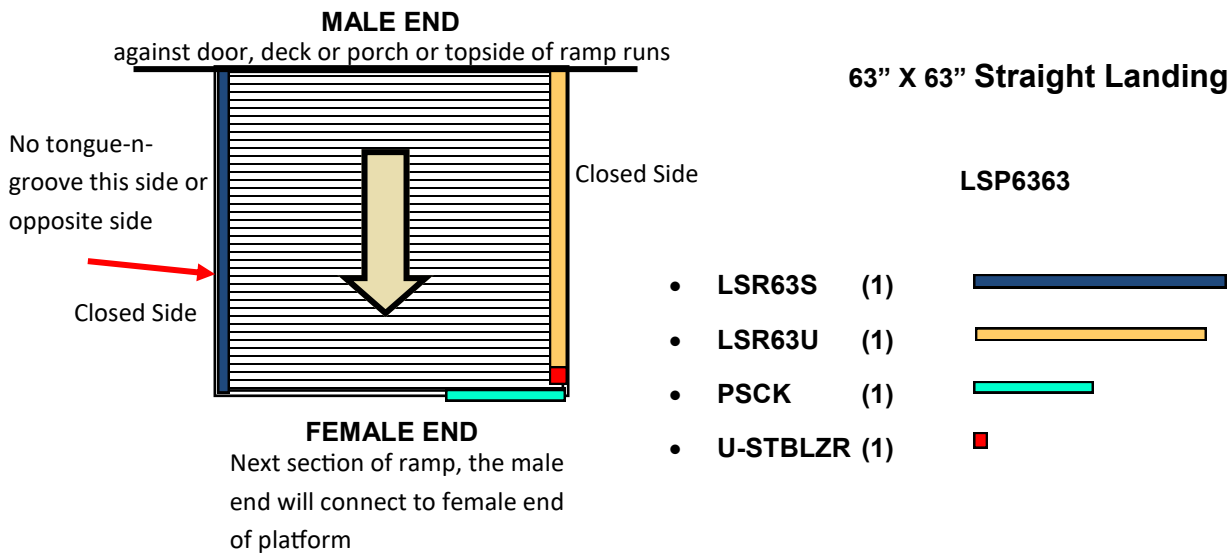
SET RAIL Leg over Leg rail on the CLOSED side of the platform - the top rail measures 63"

UNIVERSAL RAIL Over 1 leg used on the OPEN side or Closed side - the top rail measures 61.25"

Used to butt up against the SET rail in a 90 degree turn layout

OR butts up to the Closure Kit Post in a straight run

NOTE* When installing a 90 degree turn and continuing a ramp run, you must purchase an additional closure kit



4 X 5 Platform Rails:

SET RAIL

Leg over Leg rail on the CLOSED side of the platform - **the top rail measures 51"**

UNIVERSAL RAIL

Over 1 leg used on the OPEN side or Closed side - **the top rail measures 61.25"**

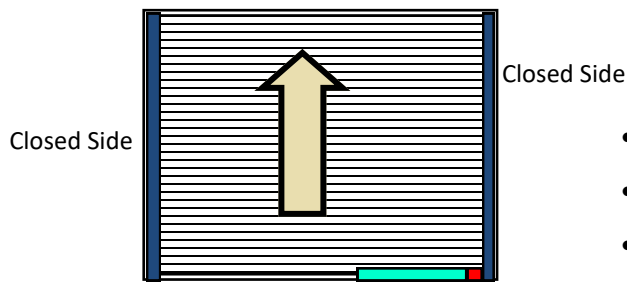
Used to butt up against the SET rail in a 90 degree turn layout

Special Ordering of rails are required if you are using a 4x5 platform as a straight run

4' deep straight uses two (2) 51" rails / 5' deep straight run uses two (2) 63" rails

INSTALL NOTE: When installing a 90 degree turn and continuing a ramp run, you must purchase an additional closure kit

MALE END



63" x 51" Straight Landing

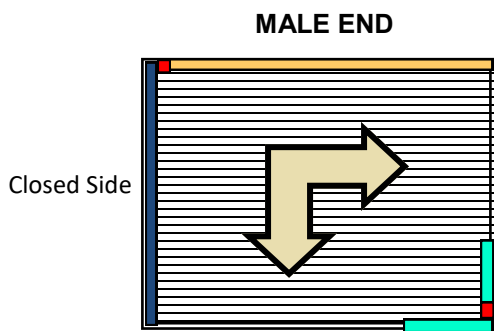
LSP6351

- LSR51S (2)
- PSCK (1)
- STBLZR (1)

FEMALE END

63" x 51" Turn Landing

(requires extra PSCK purchased)

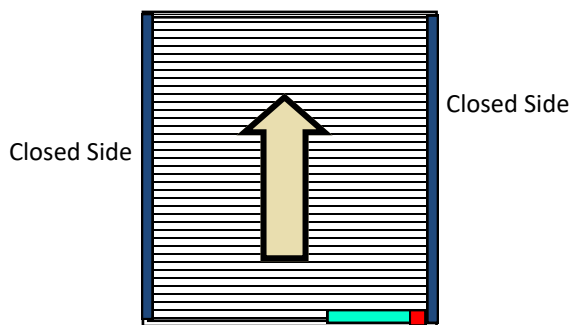


LSP6351

- LSR51S (1)
- LSR63U (1)
- PSCK (2)
- STBLZR (2)

FEMALE END

MALE END



63" x 51" Straight Landing

LSP6351

- LSR63S (2)
- PSCK (1)
- STBLZR (1)

FEMALE END

4 X 5 Platform Rails: Optional uses as a turnback or a long 90 degree turn

SET RAIL Leg over Leg rail on the CLOSED side of the platform - the top rail measures 51"

UNIVERSAL RAIL Over 1 leg used on the OPEN side or Closed side - the top rail measures 61.25"

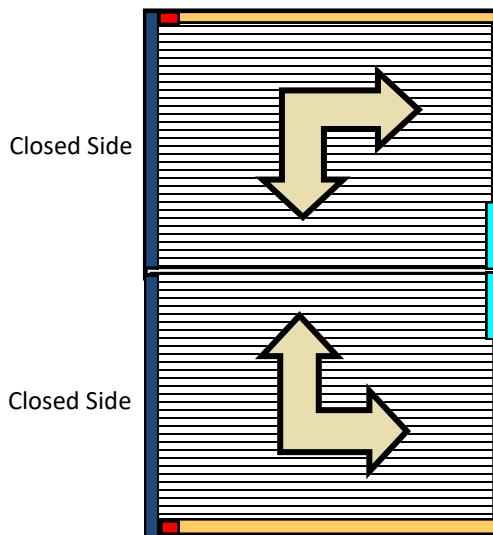
Used to butt up against the SET rail in a 90 degree turn layout

Special Ordering of rails are required if you are using a 4x5 platform as a straight run

4' deep straight uses two (2) 51" rails / 5' deep straight run uses two (2) 63" rails

INSTALL NOTE: When installing a 90 degree turn and continuing a ramp run, you must purchase an additional closure kit

MALE END



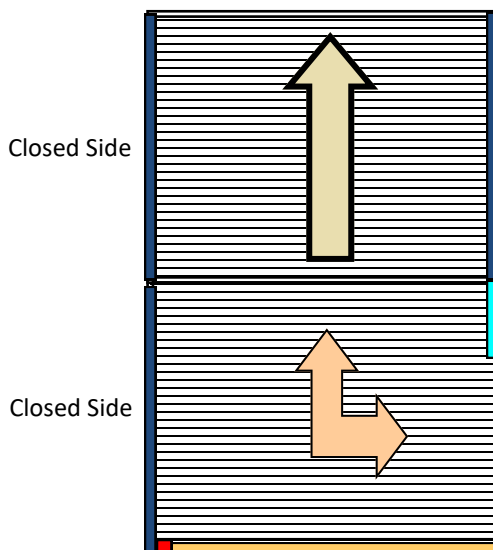
5 x 8 turnback

LSP6351 (2)

- LSR51S (2)
- LSR63U (2)
- PSCK (2)
- STBLZR (2)

FEMALE END

MALE END



5 x 8 90° turn landing

LSP6351 (2)

- LSR51S (3)
- LSR63U (1)
- PSCK (1)
- STBLZR (1)

FEMALE END



4 X 4 Platform Rails:

SET RAIL Leg over Leg rail on the CLOSED side of the platform - the top rail measures 51"

UNIVERSAL RAIL Over 1 leg used on the OPEN side or Closed side - the top rail measures 49.25"

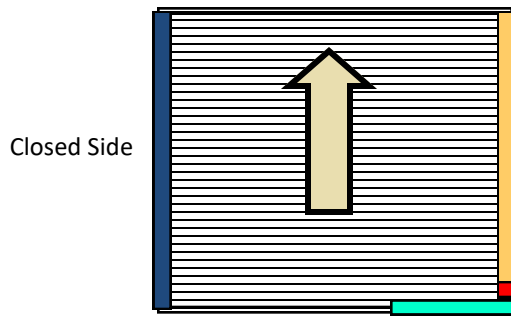
Used to butt up against the SET rail in a 90 degree turn layout

OR butts up to the Closure Kit Post in a straight run

INSTALL NOTE: *When installing a 90 degree turn and continuing a ramp run, you must purchase an additional closure*

MALE END

51" x 51" Straight Landing



MP44U

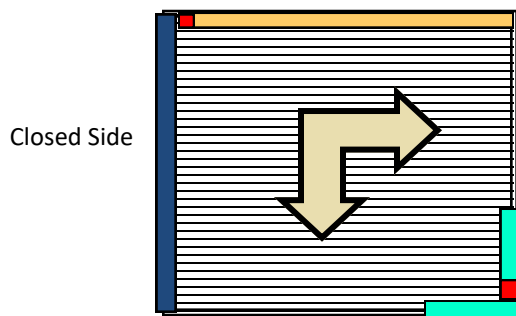
- LSR51S (1)
- LSR51U (1)
- PSCK (1)
- STBLZR (1)

FEMALE END

MALE END

51" x 51" Turn Landing

(requires extra PSCK purchased)



MP44U

- LSR51S (1)
- LSR51U (1)
- PSCK (2)
- STBLZR (2)

FEMALE END



Platform Setup



NOTE: YOUR PLATFORM LEGS ARE SQUARE TUBES AND DIFFERENT FROM THE RAMP U-LEGS

- * Set out your platform with the **FEMALE GROOVE** facing in the direction of the first downward ramp run.
- * Locate the Platform Hardware Pack (**PHP**). This is your hardware required to install the leg supports and handrails.
- * Open the hardware pack and remove the **4 - 3/8" x 1/2" bolts**. Insert the bolts into each leg socket on the platform making sure to leave room in the leg socket for the leg tube to freely slide into the socket.
- * Determine your platform height and find the tubular legs that are approximately 10" or greater than your overall height.
Example: The rise is 28", so the platform needs to be set at 28" from the ground to the top surface of the platform. The appropriate leg size for this configuration would be the 40" legs (28"+10"=38").

Platform legs are available 20",30",40", 50" and continuing increments of 10". The platform rails will be installed over the legs. This is why 10" over the platform surface is ideal for your leg height.

- * Next determine the **BEST** position for your legs. Note that the foot pad is **"off set"** allowing you to tuck the pad underneath the platform when installing.
- * Slide the tubular leg into the socket from the bottom side of the platform. Measure from the surface of the platform down to the bottom of the footpad. Set it at your desired height by slightly tightening the bolt to hold the leg in place. **DO NOT OVER TIGHTEN**. Adjust height when using patio blocks under the legs. *See note below.*

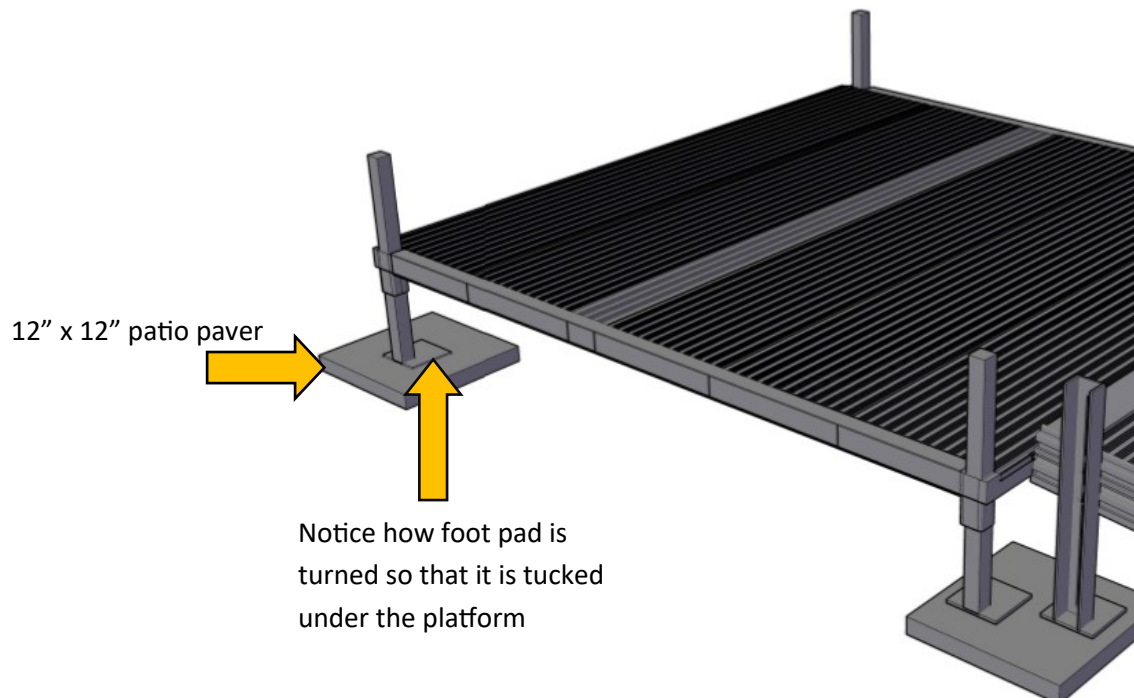


- * **Install Note:** A minimum of 10" or more of the platform leg should be showing above the platform

INSTALL NOTE: When installing legs on grass or uneven surfaces, a 12" x 12" patio paver,(see below) is required to be set under the aluminum leg to prevent the leg from sinking into the soft ground over longer periods of time. Level out the patio paver to acquire level contact between the patio paver and the aluminum footpad. We recommend sand under the patio paver to help in leveling it out.

After all 4 legs have been installed,

- Set your platform and make level adjustments using a 4' or 6' bubble level for accuracy.
- Once level, proceed to tighten your leg socket hardware.

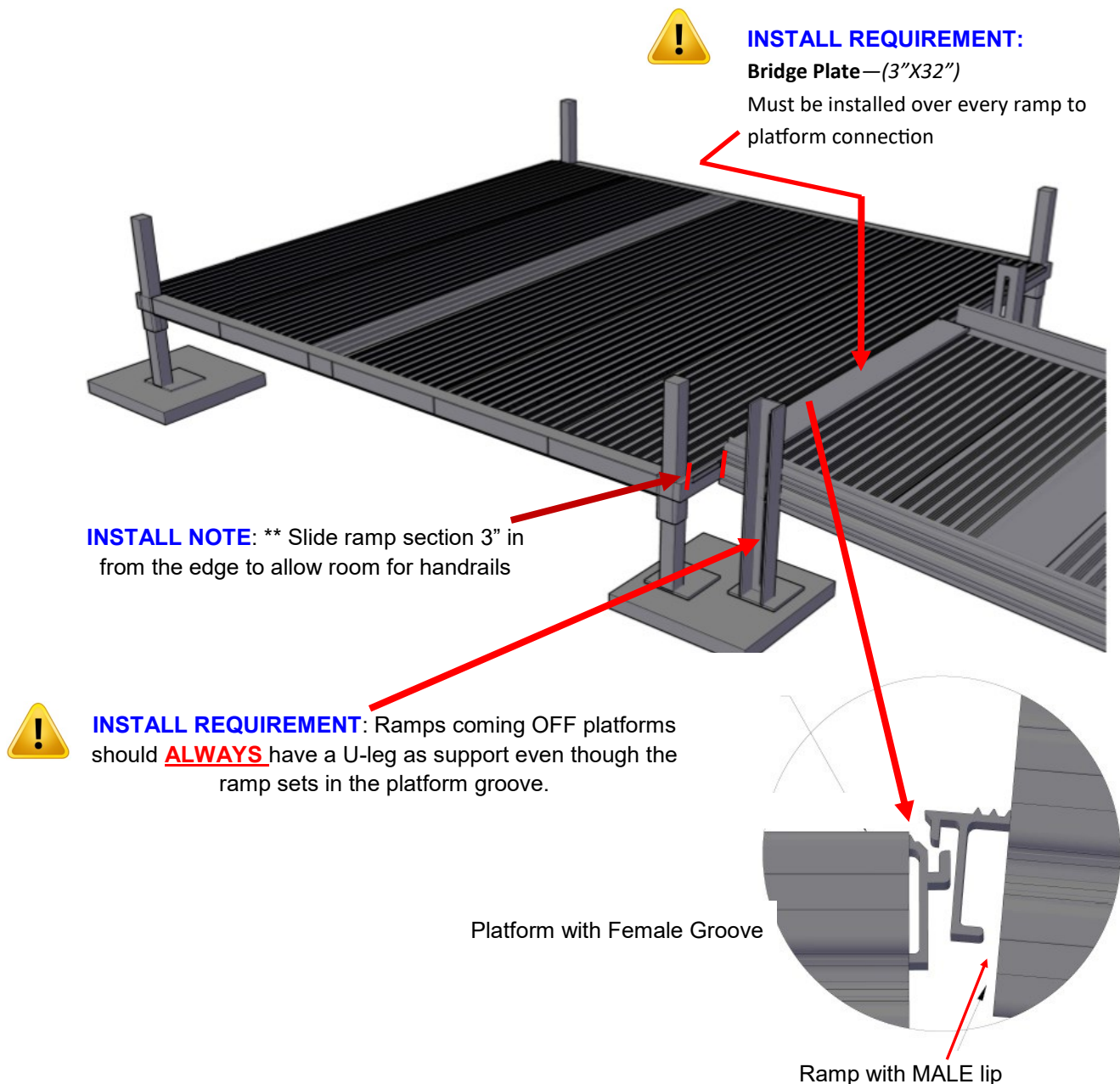


Platform and Ramp Connection

- * Once your Platform is set, you are ready to connect your first ramp section to the platform.
- * Determine the length of the first ramp section you are going to install. You will need to locate the ramp leg supports which are the U shaped slotted tubes as shown on page 9.
- * To determine your leg length, deduct the length of the ramp section from the starting height of your platform.

Example: Your starting height was 28" and your first ramp section is an 8' ramp, ($28 - 8 = 20$). The smallest legs for ramps begin at 16" and increase in increments of 10". The leg best used for a 20" rise is a 26" leg.
Refer to page 21 for installation of leg .

- * After your legs are installed you can set your first ramp section in place by placing the "MALE" lip of the ramp section into the "FEMALE" groove of the platform. Push your ramp to the out most edge leaving a space of approximately 3" from the edge. This will allow hand clearance between the ramp rail loop and the platform rail when you add handrails.



Ramp Leg Installation

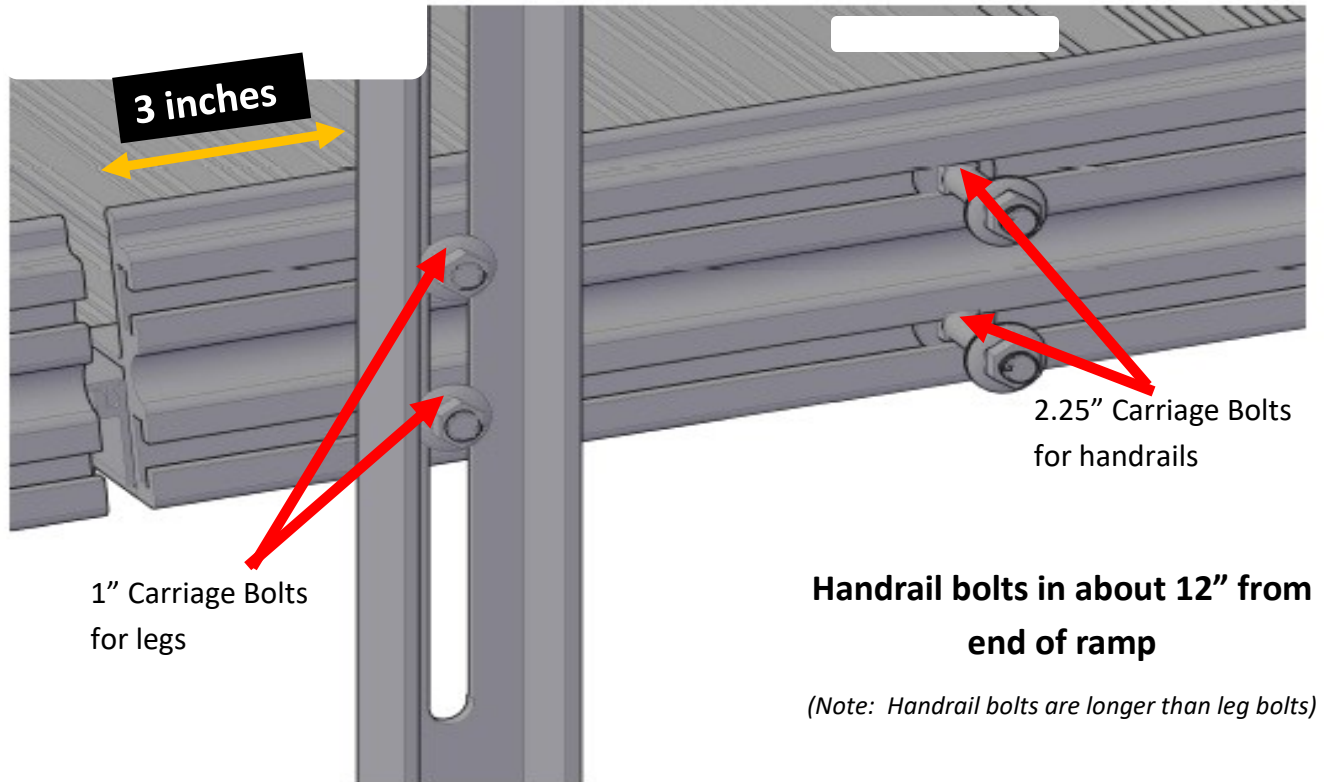
Your “PATRIOT” ramp sections are designed with outside slotted stringers. These 2 channel slots will hold the hardware for your handrails and your U-legs. Standard 3/8” carriage bolts are used. The hardware should be located in a package labeled RHPN (ramp hardware pack new).

- * 3/8” x 2.25” Long Carriage Bolts used for handrail assembly
- * 3/8” x 1” Carriage Bolts used for leg assembly

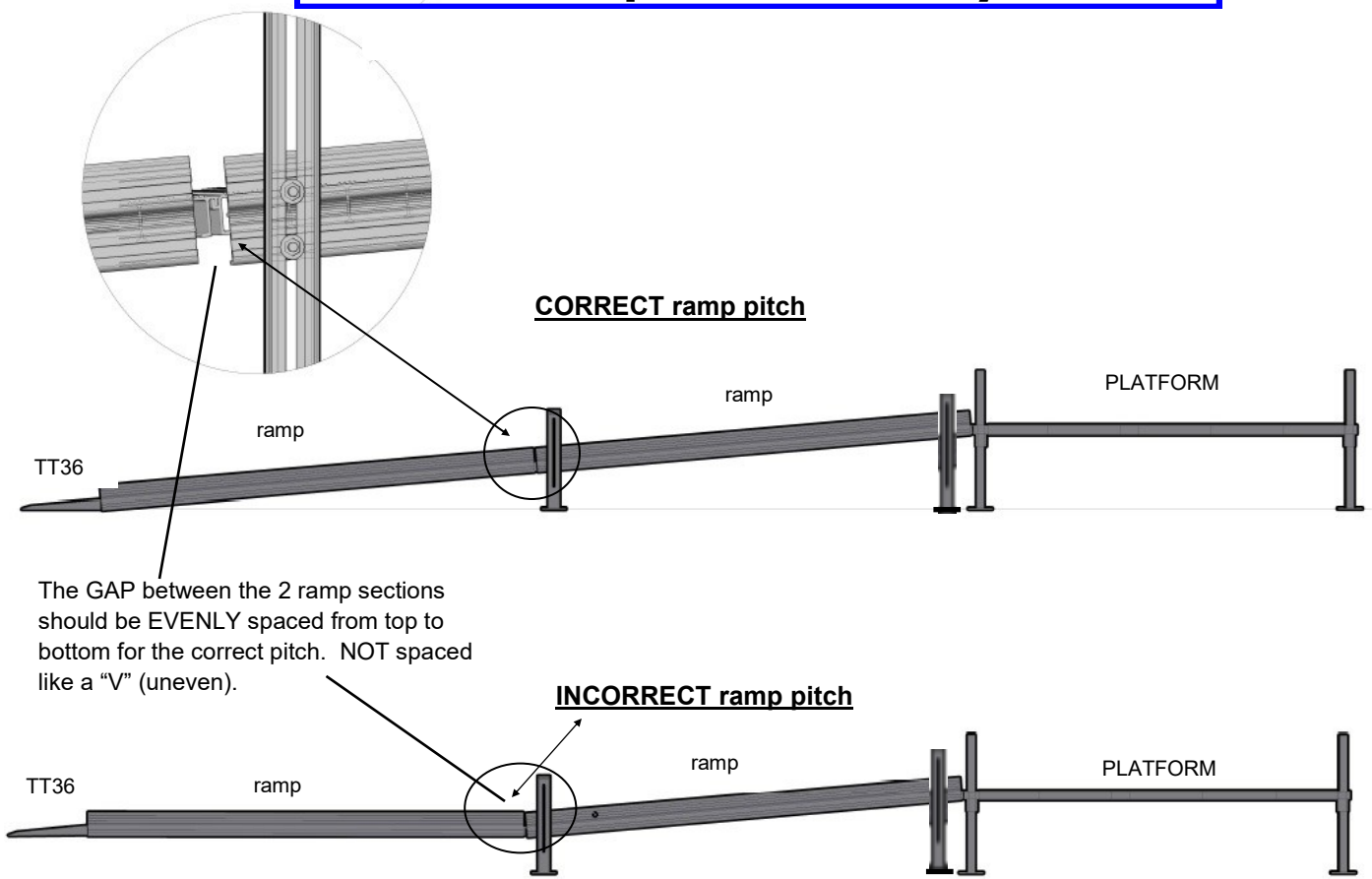
- **First** step is to slide in your handrail hardware. Locate the 3/8” x 2.25” long carriage bolts. Two (2) carriage bolts are used per handrail upright, there are two rail uprights on each side so you will use 4 per side.
- Slide the head of carriage bolt into channel of ramp stringer with shaft facing out. Slide them in approximately 12” from each end, you will use these later when attaching the handrails. One (1) in each channel at the top and bottom of the ramp section as shown below.
- **Next** locate the 3/8” x 1” carriage bolts. Use two (2) per leg, one in each channel. Legs are installed at the bottom of standard ramp runs. The bottom of the ramp should have a “female groove” in the ramp. Slide the carriage bolts into each channel of the ramp stringer with shaft facing out as shown below.
- **Install Note:** The “male lip” is located at the top of a ramp and the female groove at the bottom

The legs should be installed about 3” in from the end of the ramp (see diagram below). Make sure the leg maintains a level connection with the bottom of the footpad to ground or patio paver.

NOTE: Legs should **NOT** be installed at an angle. The design allows the leg to pivot until a level pad to ground connection is established.



Ramp Run Assembly



The GAP between the 2 ramp sections should be **EVENLY** spaced from top to bottom for the correct pitch. **NOT** spaced like a "V" (uneven).

* When adding ramp sections, you will **install a set of legs at the FEMALE end of the ramp** using the leg height appropriate for the ramp pitch you are building.

Install Note: Slide in your handrail bolts **BEFORE** putting the legs on (see diagram). If you forget, you will have to take the leg off to do this.

* The desired pitch of a ramp is at a 1:12 ratio. This means that for every inch in height, you need 12" in length. So, a 28" rise would require a ramp that is 28 feet in length. This is an ADA specification for safety.

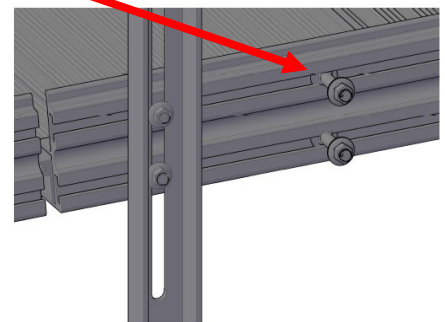
****Always check with your local building code office to make sure your ramp system will be installed per their specifications.***

◇ **The bottom of the last ramp section should rest on a solid surface, asphalt or concrete.**

Note: The last ramp section does **NOT** require leg supports (refer to page 32)

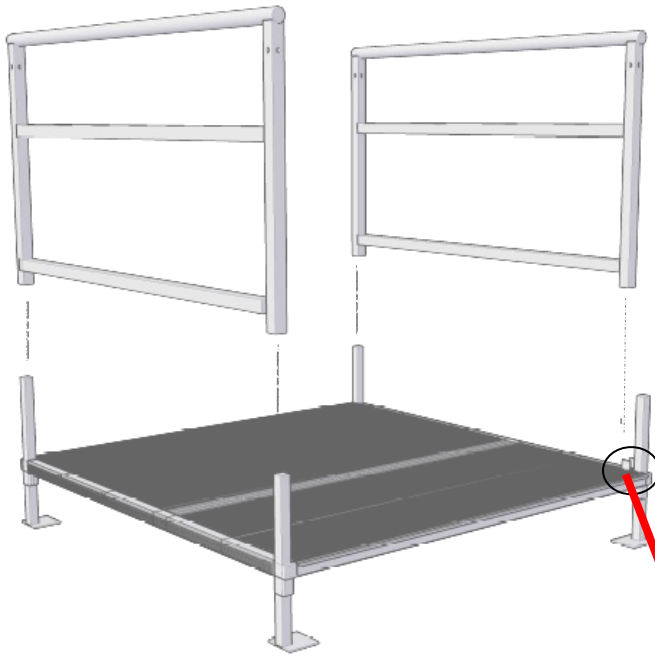
Install Note: If the end of the last ramp section ends on soft ground you will need to put a small paver under the corners of ramp. When doing this, the ground should be dug out so that the pavers do **NOT** change 1:12 ratio by lifting the ramp off the ground. Be sure to level out the pavers with sand or dirt when needed.

* Make sure the entrance and exit of the ramp is clear and free of any obstacles within **60"** out from entrance and exit point.



Platform Handrail Assembly

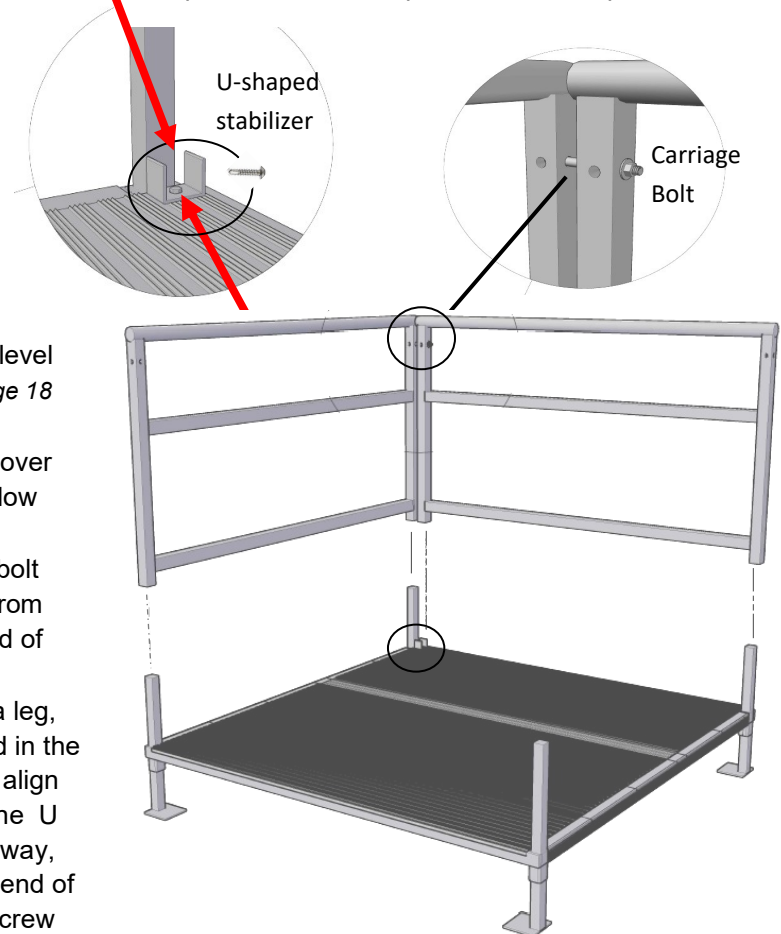
Shown to the left is the installation of rails for a Straight Through 5'x5' Platform.



- ◇ The 5'x5' (63"x63") platform comes with 2 rails of which one is longer than the other.
- ◇ On a 5x5 Platform, the LONGER 63" rail goes "leg over leg" on the closed side of the platform. (refer to Pg 18 for closed side definition)
- ◇ The SHORTER 61.25" rail will go over 1 leg and will rest near the open leg. To secure the bottom of the rail that is NOT over a leg, use the small U shaped stabilizer bracket found in the PHP (see diagram).
- ◇ **Install** the U-shaped stabilizer: Set the rail in place freely, align your handrail to determine the area to secure the U shaped stabilizer, then move the rail out of the way, and secure with the **#14 TEK** screw. Slide the end of the rail into the bracket and install a **#14 TEK** screw through the side of the U shaped stabilizer into the rail.
- ◇ A Closure Kit will include a post that will cover any open area between platform and ramp rails

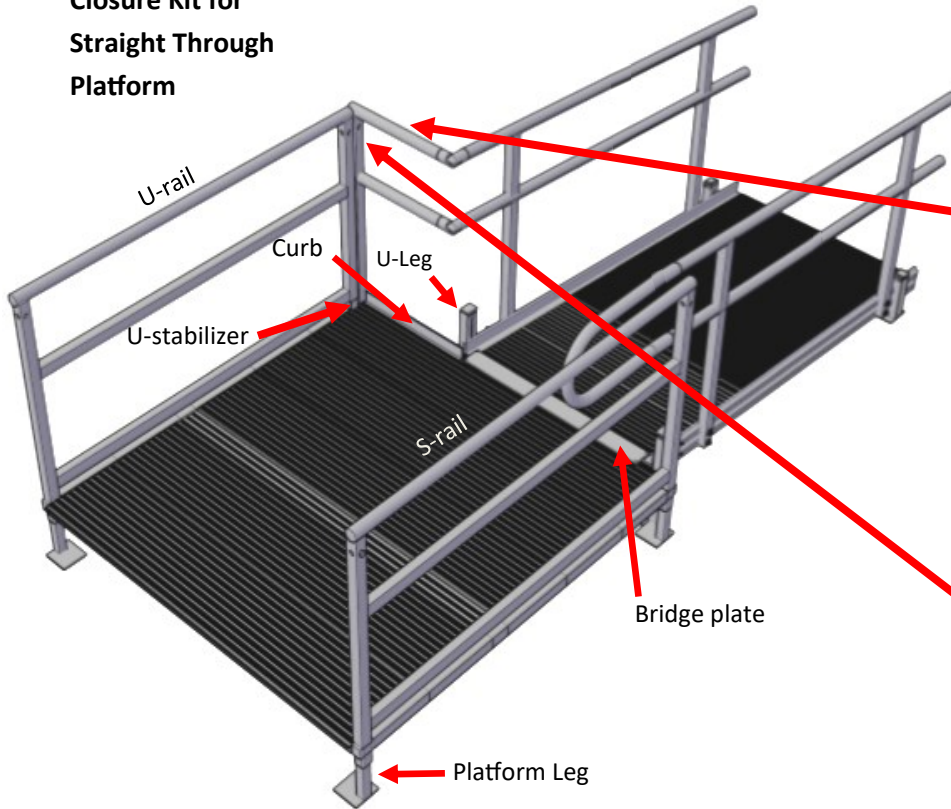
Shown to the right is an installation for a 90-Degree Turn 5'x5' Platform

- ⇒ The 5'x5' (63"x63") platform rails are assembled by taking the LONGER, 63", of the 2 rails, and sliding it over both of the exposed legs on the "closed" side of the platform. Keep the rail level and parallel for ease of installation. (refer to page 18 for closed side definition)
- ⇒ Next, using the SHORTER, 61.25", rail, slide it over the corner leg opposite of the longer rail and allow the other end to butt up against the longer rail.
- ⇒ Secure the two rails by using the 4.5" carriage bolt from the PHP pack. Be sure to insert the bolt from the "outside" of the platform rail so that the head of the bolt is on the outside of the rail.
- ⇒ Secure the bottom of the rail that is NOT over a leg, use the small U shaped stabilizer bracket found in the PHP. Do this by setting the rail in place freely, align your handrail to determine the area to secure the U shaped stabilizer, then move the rail out of the way, and secure with the #14 TEK screw. Slide the end of the rail into the bracket and install a #14 TEK screw through the side of the U shaped stabilizer into the rail.



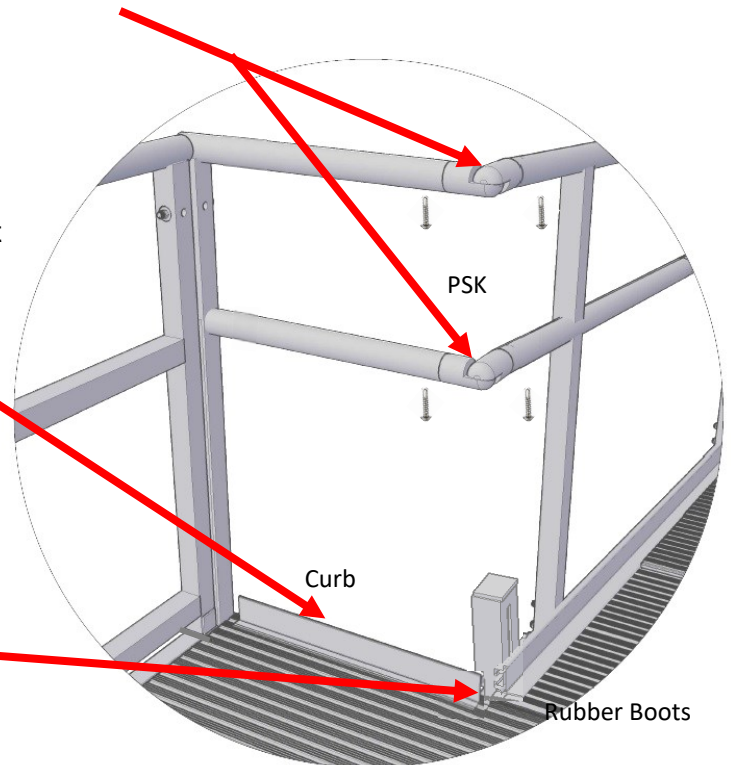
Platform Closure Kit

Closure Kit for Straight Through Platform



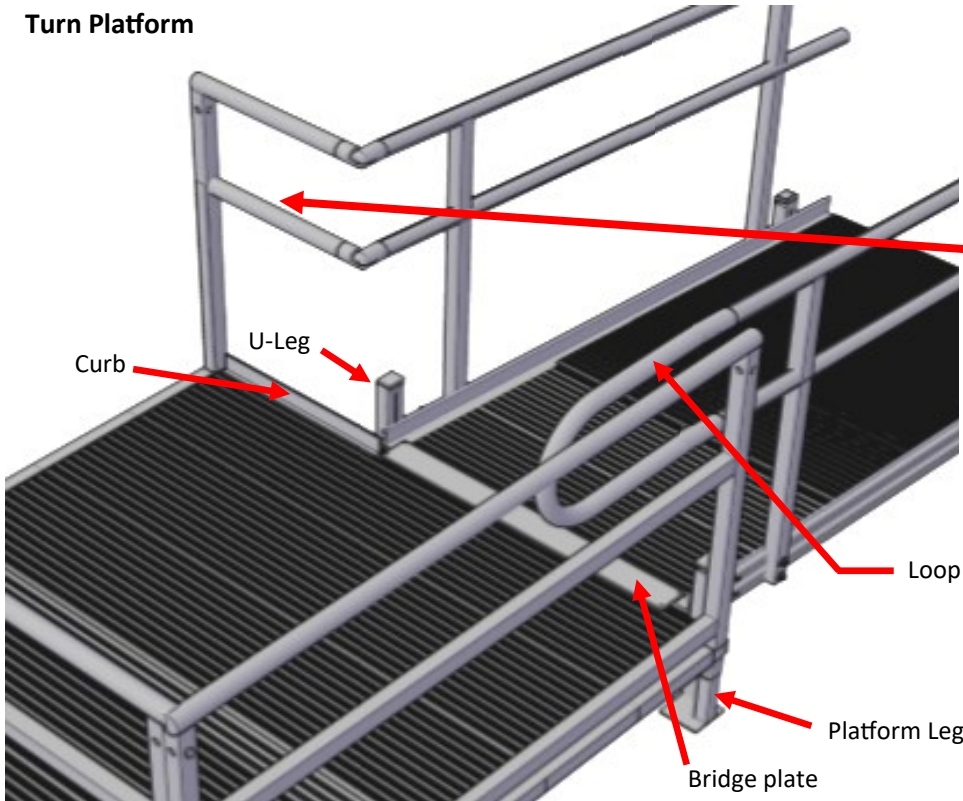
- ⇒ **Install:** To close the open side of a platform with railing, you will use the **PSCK (Patriot Series Closure Kit)**. This will allow you to close the gap from the corner of a platform to the ramp rail. A description of the kit and its contents are listed on page 9.
- ⇒ The closure kit post that was installed over the corner leg and bolt in place will butt up to the platform leg
- ⇒ **Install Carriage Bolts** in holes at top to secure the handrail and closure kit post together

- ⇒ **Slide** the F-post over the exposed leg in the corner of the platform.
 - The F-post rail lengths are manufactured to be at the “standard” length which allows for the ramp to be inset from the opposite side. It is just enough space (1.5”) to allow handrail clearance between the loop on the ramp rail and the platform rail.
- ⇒ **Insert** the (2) 90 degree **plastic platform swivels** and align them to the ramp handrails (*see diagram*).
- ⇒ **Secure** the swivels at each end with the #8 Tek screws. *Insert screws on underside out of reach of a hand.*
- ⇒ **Install Note:** Should you need to slide the ramp closer to the closure kit corner you will need to cut the F-post tubes to make a proper fit. This is best done by using a battery powered circular saw. A 2” pipe cutter can also be used. Secure the swivels at each end with the #8 Tek screws.
- ⇒ **Install** the **20”x 1”x 2” aluminum curb** on the platform under the closure kit. If you need to cut the curb to fit, be sure to file the ends of any sharp edges.
- **CAUTION:** Make sure the curb does NOT impede into the ramp area causing a tripping hazard.
- ⇒ **Install** the **“L” shaped rubber boots** to the edges of the curb before securing to the platform surface. Secure using the #14 Tek screws, one on each end and one in the middle.



Closure Kit for
90-Degree
Turn Platform

Platform Closure Kit



⇒ To close the open side of a platform with railing, you will use the **PSCK** (Patriot Series Closure Kit). This will allow you to close the gap from the corner of a platform to the ramp rail. A description of the kit and its contents are listed on page 10.

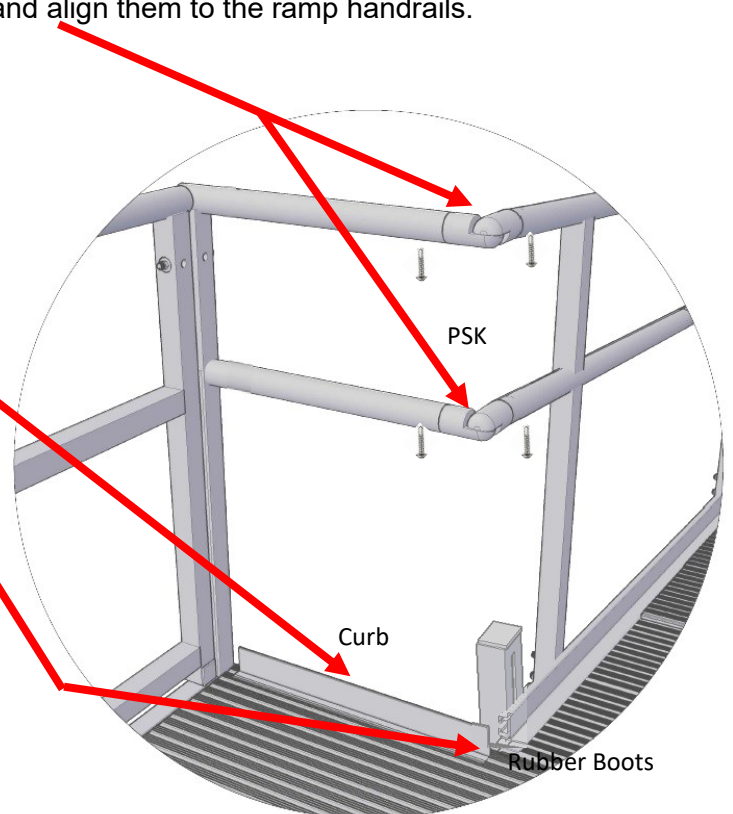
- ⇒ **Slide** the F-post over the exposed leg in the corner of the platform.
- ⇒ The F-post rail lengths are manufactured to be at the “standard” length which allows for the ramp to be inset from the opposite side. It is just enough space (1.5”) to allow handrail clearance between the loop on the ramp rail and the platform rail.
- ⇒ **Insert** the (2) 90 degree **plastic platform swivels** and align them to the ramp handrails.

⇒ Note: Should you need to slide the ramp closer to the closure kit corner; **you will need to cut the F-post tubes to make a proper fit.** This is best done by using a battery powered circular saw. A 2” pipe cutter can also be used. Secure the swivels at each end with the #10 Tek screws.

⇒ **Install** the **20” x 1” x 2” aluminum curb** on the platform under the closure kit. If you need to cut the curb to fit, be sure to file the ends of any sharp edges.

⇒ **Install** the **“L” shaped rubber boots** to the edges of the curb before securing to the platform surface. Use the #14 Tek screws, one on each end and one in the middle.

⇒ Make sure the curb does NOT impede into the ramp area causing a tripping hazard.



Turnback Platform Rails, Loops and Closures

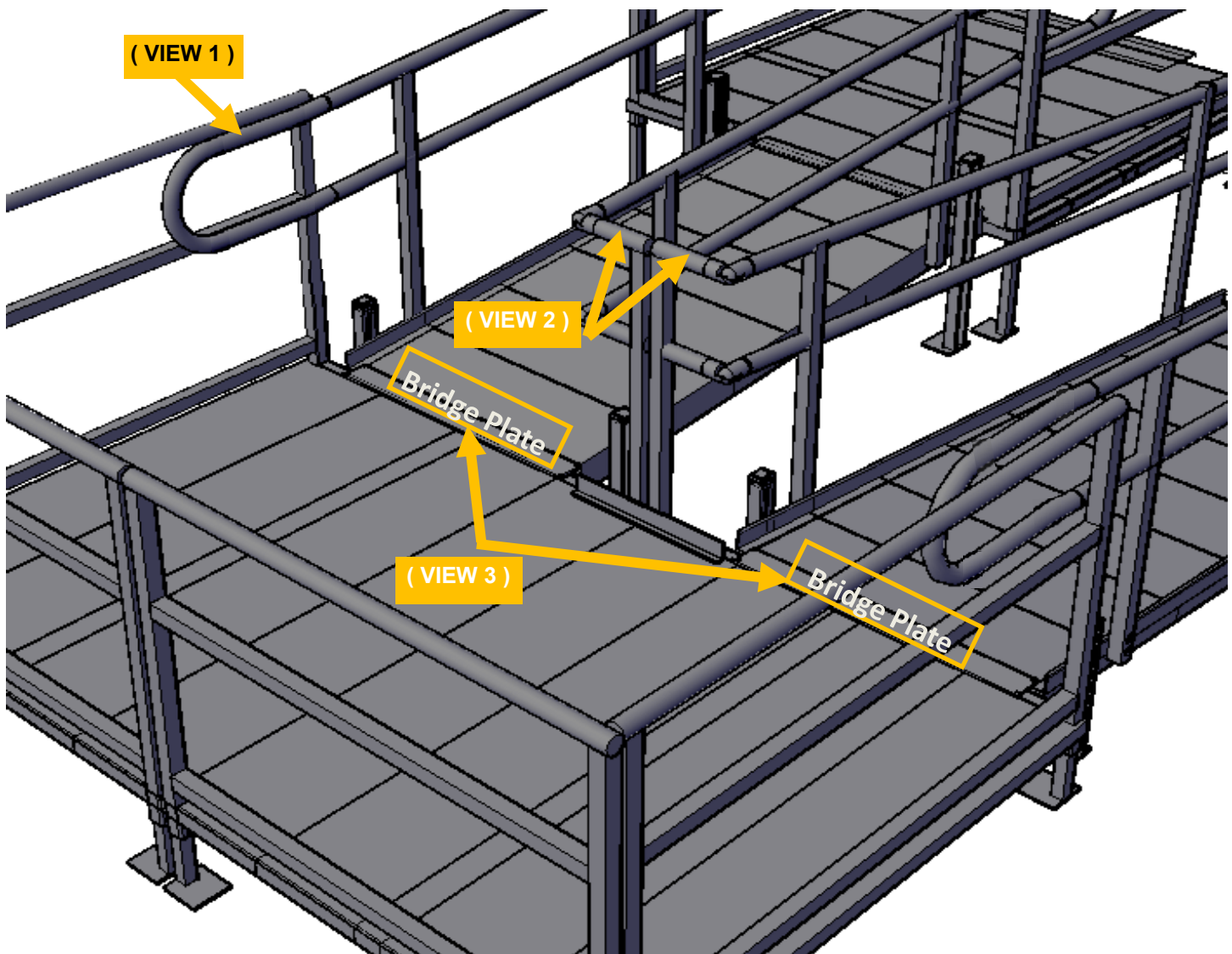
Using 2 platforms you can create a 180° turn. The rails in the corner are connected as in the same fashion as the standard 90° turn platform, (see TOP of page 17).

Loops: The outside ramp rails are capped off using a handrail **loop** . The loop is slightly bent with a 4° bend 4" from the ends. The bend is designed to allow the loop to be level to the surface whether it is used at the TOP of a ramp run or at the BOTTOM of a ramp run. When going down to a ramp the loop is installed so that the bend is turned up. When going up the ramp, the loop is installed with bend turned down. This allows the end user to know when the ramp is leveling off onto a platform or a level surface. Simply turn the loop 180 degrees to obtain the proper leveling required. **(VIEW 1)**

Closure Kit: Close EACH platform corner gap as instructed from the TOP of page 25. When two 4x5 platforms are closed with Closure Kits, use the included 3x8" bolt to connect the two posts together. The two closure kit post will butt up to each other and face away. **(VIEW 2)**

Install Note: Because the ramps will be coming off the 51" side of the platform, you will be required to cut down the closure kit tubes and the curb to fit properly.

Bridge Plates: Using the 3" x 32" **aluminum bridge plate**, place it over the end of the ramp and onto the platform for each ramp section and secure with #14 Tek Screws. This will lock the ramp to the platform for safety. **(VIEW 3)**,

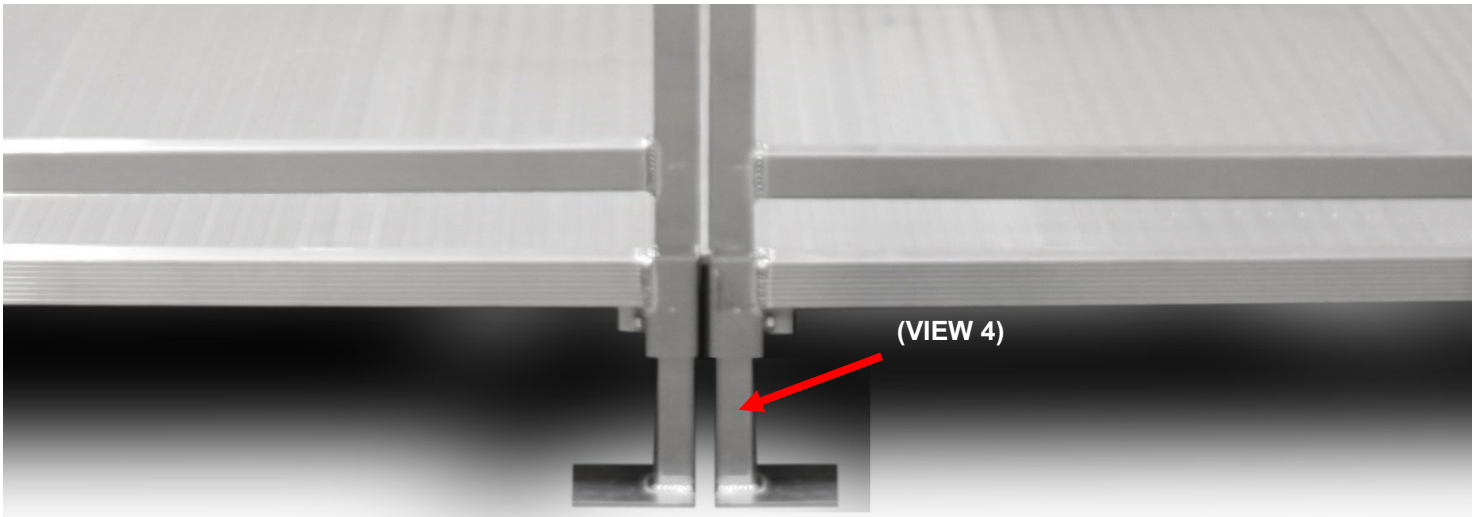


Turnback Platform

To build a 5 X 8 turnback platform you will use two (2) 4 X 5 platforms joined together.

Set up both platforms as normal with the legs set at the required height.

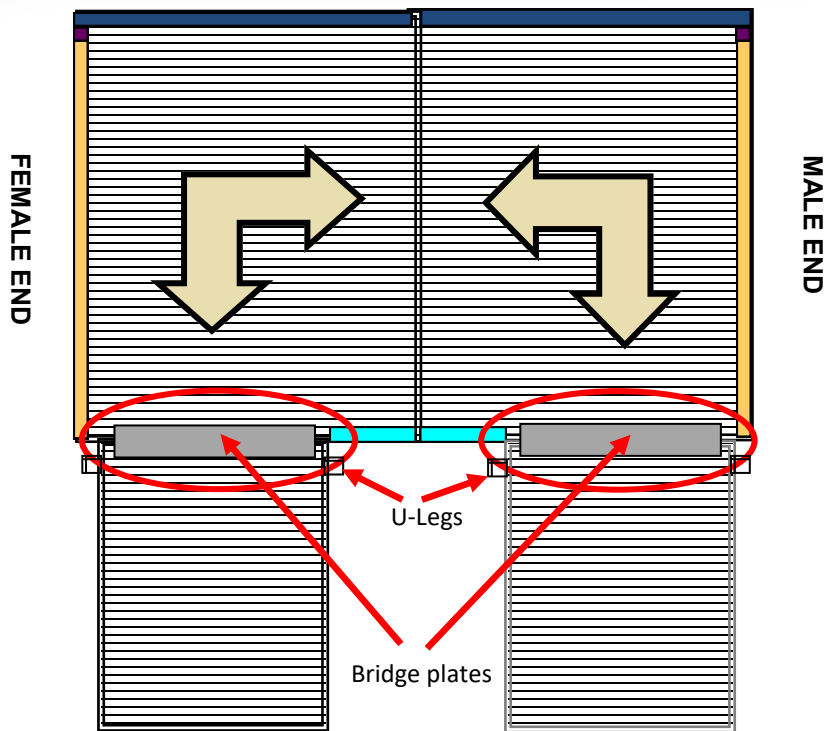
- The platforms will be joined by putting the male end of one platform into the female groove of the second platform.
- Where the joint comes together, **install** the legs so that the foot pad faces **under and away** from the other platform leg. This will keep the foot pads from fighting for the same space when joined. **(VIEW 4)**



Install Note: There will **NOT** be a female groove to attach the ramp coming DOWN and UP from the platform.

When this occurs,

- **Install** SUPPORT legs on the UP and Down section of ramps where it butt against the platform and push up tight to the platform.
- **Install** the 3" x 32" bridge plate over the seam where the ramp and platform meet



A 5 x 10 platform can be built using two (2) 5 X 5 platforms in the same manner.



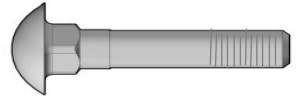
Ramp Handrail Assembly

Install Note: Rails are best installed after the ramp and platforms are set in place with the proper pitch.

- BE SURE to install the handrail hardware BEFORE installing the legs.
- When installing ramp handrails, it is best to start from the top on one side and work your way down one ramp section at a time. Start by putting on one handrail post to the 3/8" x 2 1/4" carriage bolts and LOOSELY put on the flange nut.
- By leaving this loose, it will allow you to pull the second handrail post away from the bolts to line them up. Keeping these bolts loose as well allows the rail to slide along the Slotted "F" stringer with some assistance.
- Don't forget to go back and tighten each flange nut once you have every handrail where you need them.



HANDRAIL
3/8" -16 x 2 1/4" carriage bolt



Handrail Sleeve Connector

1.34" x 5" aluminum tube inserts with rubber "O" ring

* Use to connect two handrails or loops



** Do not use to connect a Stop-N-Rest to a Ramp — instead use PSK to connect a Handrail to Stop-N-Rest (refer to page 30)

Connect each rail to the previous rail using the 5" aluminum Sleeve Connector. The rail hardware package includes (4) tubes with rubber "O" ring.
(FIG 1.)

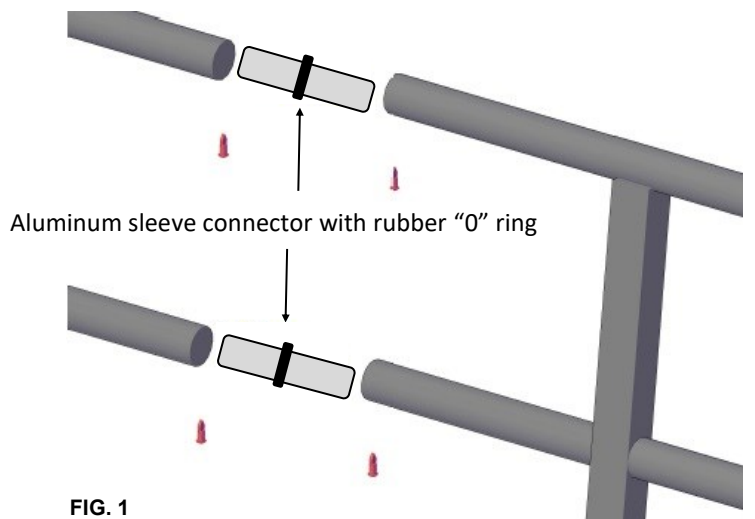


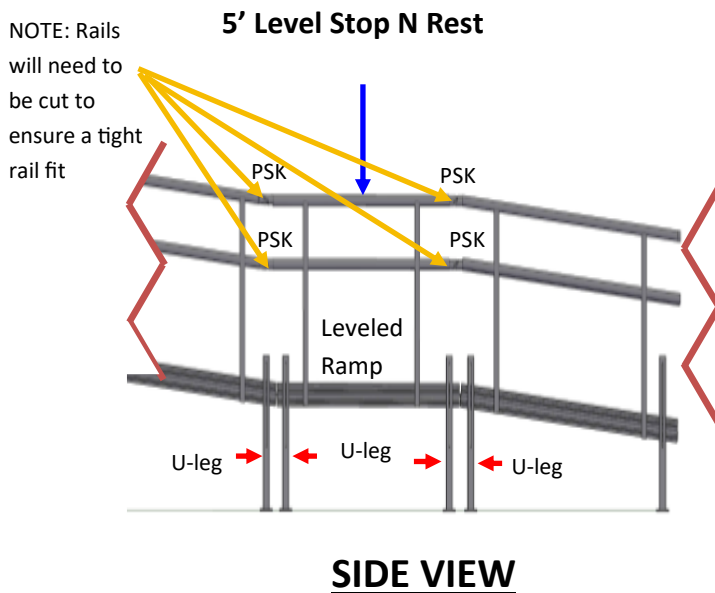
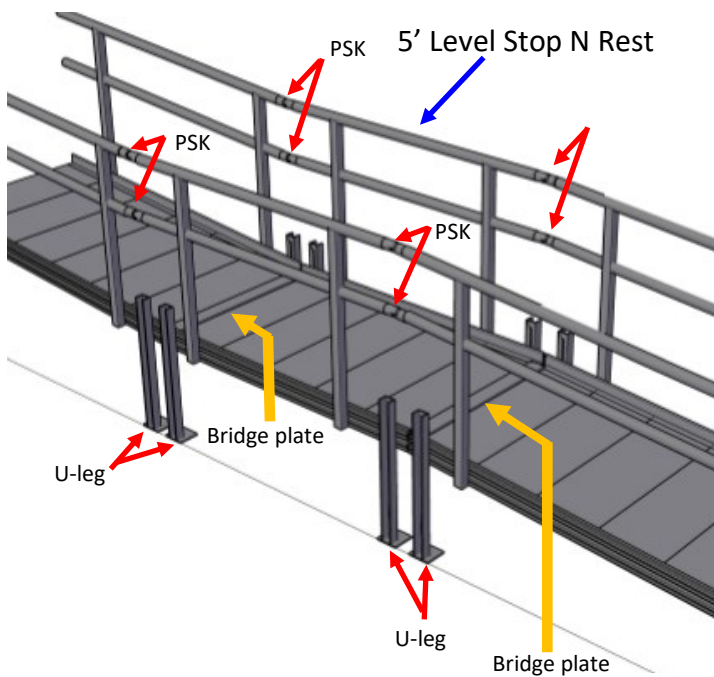
FIG. 1

STOP-N-REST

5' Ramp Used as a Stop N Rest Landing

What is a Stop-N-Rest? Whenever a ramp is **over** 30 feet in a **straight run**, ADA Standards requires a level landing, at least 60 inches long and at least the width of the ramp. This landing is used for a rest area for the End User when they are coming up the ramp with their mobility device. Other configurations, such as a layout with a 90 degree turn or 180 degree turnback can be alternatively used as levels landing as long as no individual ramp run is over 30 feet.

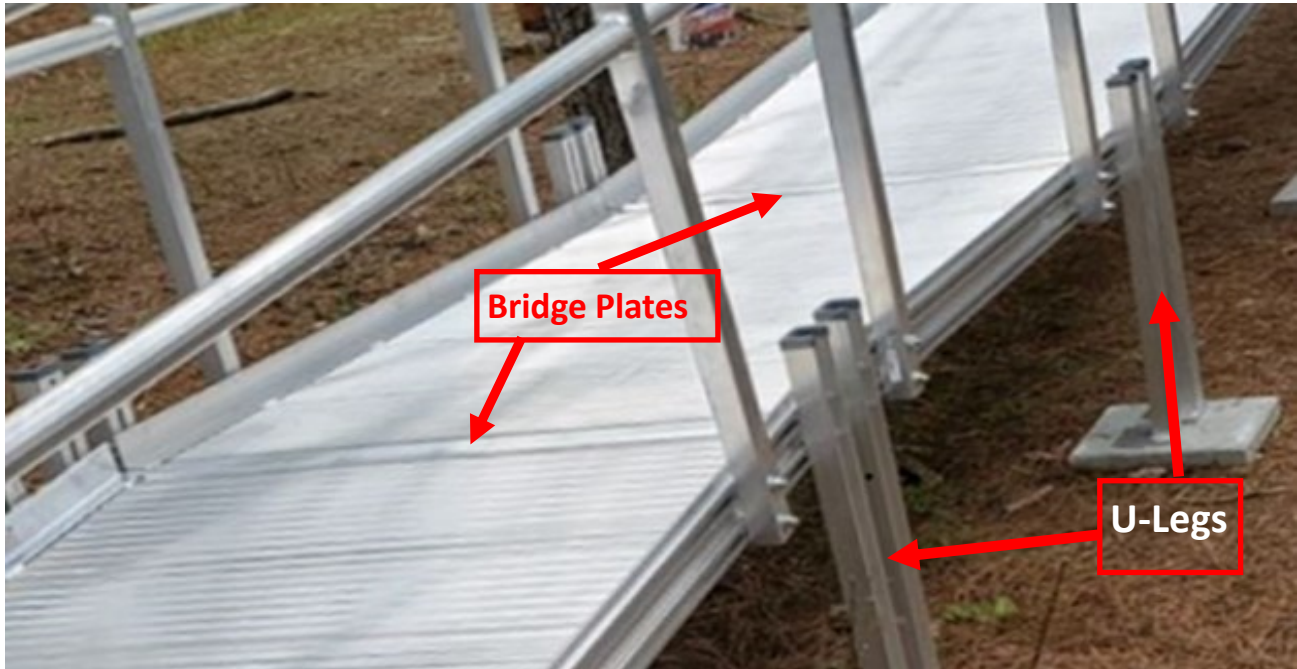
Install Note: Always refer to the ramp layout for placement of the Stop-N-Rest.



How to Install a Stop-N-Rest:

- ◇ Ensure two U-Legs are installed on the bottom of the ramp prior to where the Stop-N-rest will be installed. (see diagram)
- ◇ Locate the Stop-N-Rest, (section of ramp that will be used as the Stop-N-Rest),
 - * **First**, slide your longer handrail bolts into the stringer groove at each end, (you will need these later when installing the handrails) Reference Page 21.
 - * **Next**, slide in your shorter leg bolts at each end.
 - * **Install** two sets of U-legs at each end. (see diagram). For now tighten bolts slightly loose.
 - * **Push** the Stop-N-Rest against ramp locking the male tongue-n-groove into the female tongue-n-groove of the down sloping ramp.
 - * **Level** the Stop-N-Rest and tighten U-Legs Bolts
 - * **Install** top **Bridge Plate** (3" x 32") over seam where Ramp and Stop-N-Rest are connected. (see top diagram and example on Page 30)
 - * **Install** the next lower section of Ramp and U-Legs
 - * **Install** bottom **Bridge Plate** over seam where Stop-N-Rest connects to the lower ramp section. (see top diagram and example on Page 30)
- ⚠ * **Install the Handrails** (refer to page 28).
 - * **Install Requirement:** Where the rails on Ramps and Stop-N-Rest meet you will need to use a Pipe Cutter to cut the rails to ensure the PSK insert has a tight fit against each rail. (refer to Page 30)
 - * **Insert** the **four plastic swivel kit, PSK**, and tech screw each into rails (refer to page 21) to connect handrail on Stop-N-Rest to handrail on ramps. (example on Page 30)

Stop-N-Rest Photos



* Rails on Stop-N-Rest and Ramp are longer and will need to be cut to ensure the PSK insert has a tight fit against each rail. (refer to page 29 and photos below)

* U-Legs should be installed on both ends of the level Stop-N-Rest and additionally where the Ramps connect to the Stop-N-Rest. (see photo above)
 * Bridge Plates should be installed over both seams where ramps connect to the Stop-N-Rest



Lower Section

Cut rails to ensure PSK fits tight



PSK (2 per)



Upper Section



Loop Assembly

The Loops are attached using the **round 5" aluminum** insert connector. **Secure using the #8 TEK** screws provided in the LHPN. The ideal distance to insert the TEK screw is 1" from the end of both the loop and the rail.

- Install the TEK screw on the backside underneath top and bottom of loop to keep from hands catching on the screw



REQUIRED: secure the loops with tech screws to avoid detachment by hand.

- ◇ **Install Note:** Loops should be installed in the following locations:
 - ◇ * Two loops at end of ramp where it meets ground (*unless impediment into a drive way*)
 - ◇ * One loop where ramp meets a platform installed on external side of turn, either going down or up a ramp.
- ◇
- ◇ **Install Note:** Loops should be turned to create a level top section. Loops will be installed turned one way or the other depending on slope of ramp.

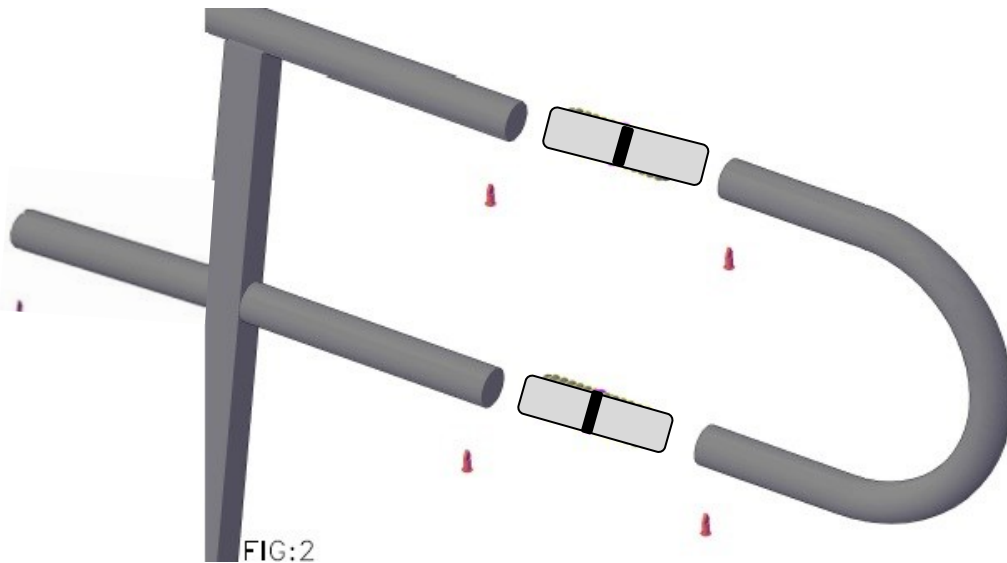


FIG:2



Handrail Sleeve Connector

1.34" x 5" aluminum tube inserts with rubber "O" ring

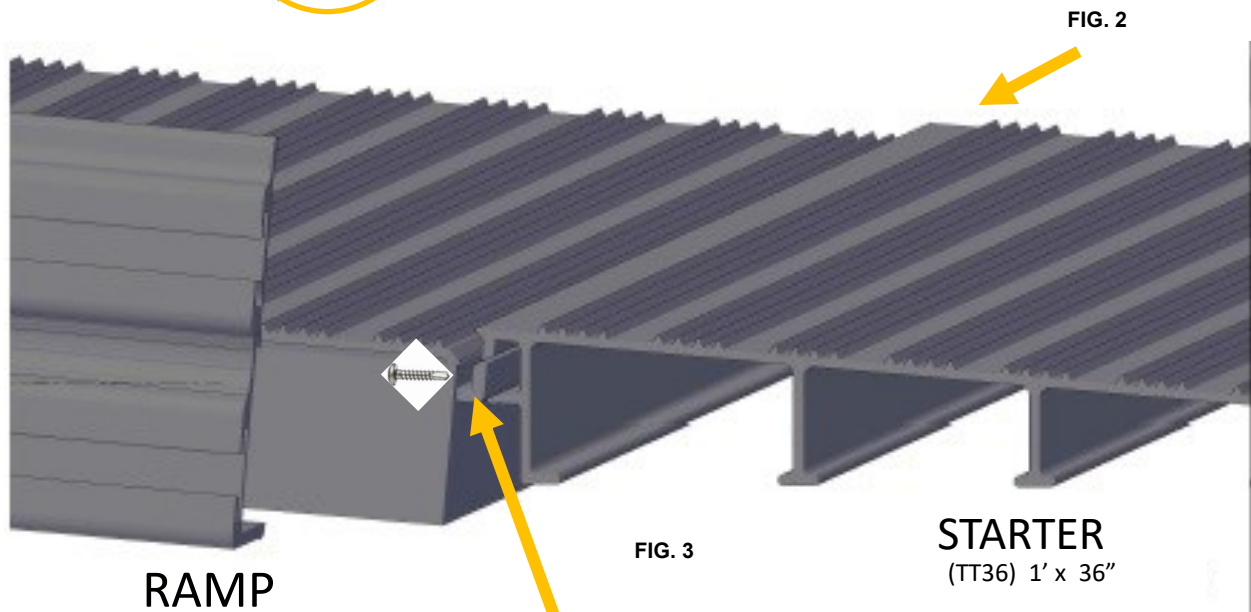
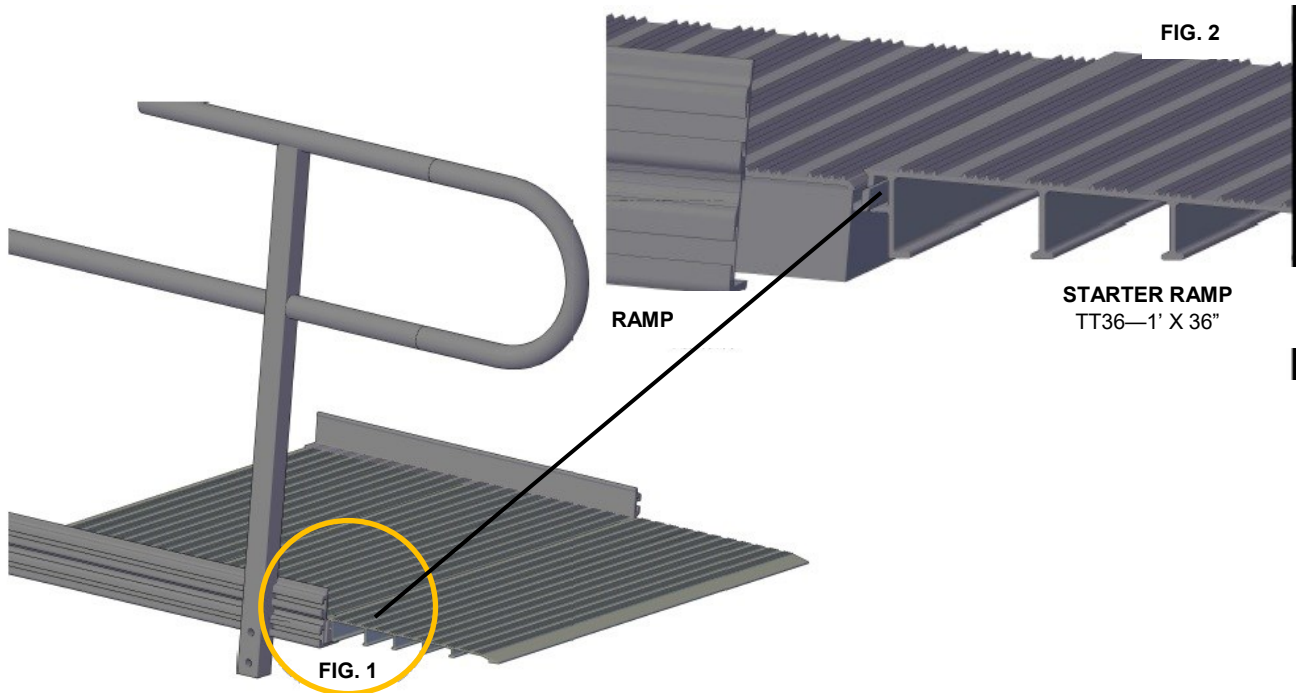
Use to connect two handrails or loops

****** Do not use to connect a Stop-N-Rest to a Ramp - instead use PSK to connect a handrail to a Stop-N-Rest (*refer to page 30*)



End Transition Tread Assembly

- The End Transition Tread (TT36) is secured to the end of the ramp by **sliding** it from **left or right** onto the female groove at the end of the ramp. The Under Lip of the TT36 will keep it from lifting off. (FIG 1 and 2)
- To keep the transition tread from sliding left to right, **Screw in** a #8 Tek screw in the end of the female groove where the lip of the transition tread sits. This should “wedge” the Tek screw in this space and lock the tread from movement.



Screw in a #8 Tek screw in the end of the female groove where the lip of the transition tread sits.

Platform and Ramp Setup OVER 30" with Angle Support Brackets

When installing platforms or ramps OVER 30" in height, it is recommended that you stabilize the system with angle support brackets (ASB).

There are 2 styles of bracket.

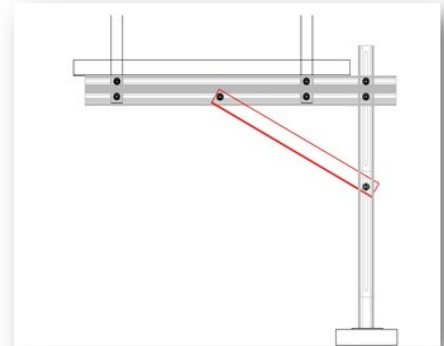
- Platform Angle is 1.5" w x 1.5 w"
- Ramp Angle is 1" w x 2" w with holes on each end

For Platforms: Use the 1.5" x 1.5" angle and secure it to the side of the platform and to the tube leg using the #8 TEK screw provided.

For Ramps: Use the 1" x 2" angle which has a hole on each end.

You secure the bracket by placing the 1" side "UNDER" the slotted stringer so that the hole lines up with the bottom hardware slot on the stringer. You then secure the bracket on the ramp with the 1" x 3/8" carriage bolt and flange nut provided. The other end will attach to the ULEG by using the same bolt in the slot on the leg and the flange nut. Make sure the 2" side of the angle is on the "BACK" side of the leg. (the flat part of the ULEG) IF the leg does NOT have a slot at this height, then drill a 3/8" hole in the center of the leg to attach the bolt for support.

Install Note: Be sure to add the hardware to the stringer **BEFORE** attaching legs or handrails. Platforms require (4) ASB and (2) for ramps exceeding 30" in height. ASB is an accessory and must be ordered as such.



Install Note:

- Platform Angle is 1.5" x 1.5"
- Ramp Angle is 1" x 2" with holes on each end



Hurricane Tie Down Kit Installation

Some states and areas within a state require hurricane tie downs for your modular ramp system. The kit includes 1 30" anchor, 2 wire clamps and wire cable of varying lengths.

If you are unclear on your ramp design as to the locations the anchors should be placed, call our offices for assistance. **888-790-9269 Monday - Friday 8am - 5pm Central time.**

The installer will determine the exact location based on the placement of the Anchor. They should be positioned near the center of the ramp. The tie down should be installed on the underside of each ramp section. When your ramps are less than 12" above the ground, you can install the anchor **NEXT TO** the ramp section that you will secure, making sure the anchor is in the center of the ramp section and is less than 4" from the side of the ramp to keep it from being a tripping hazard.

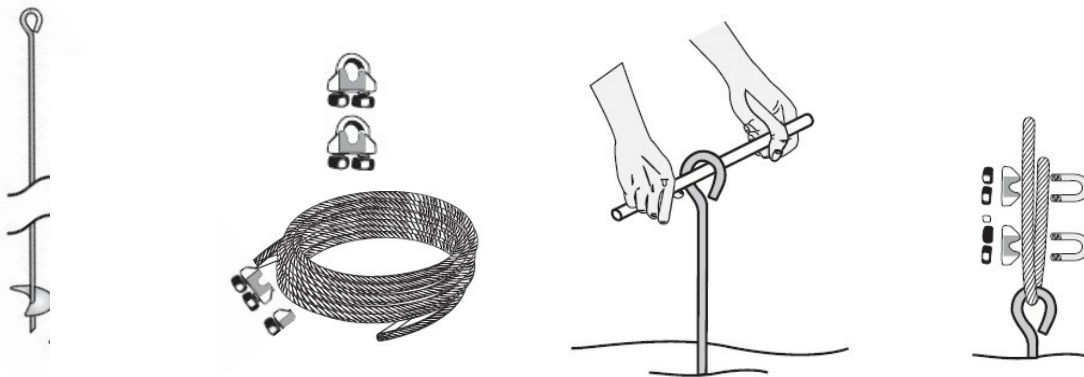
All platforms and ramp sections require one tie down each. Review the instructions on page 33 for proper installation.



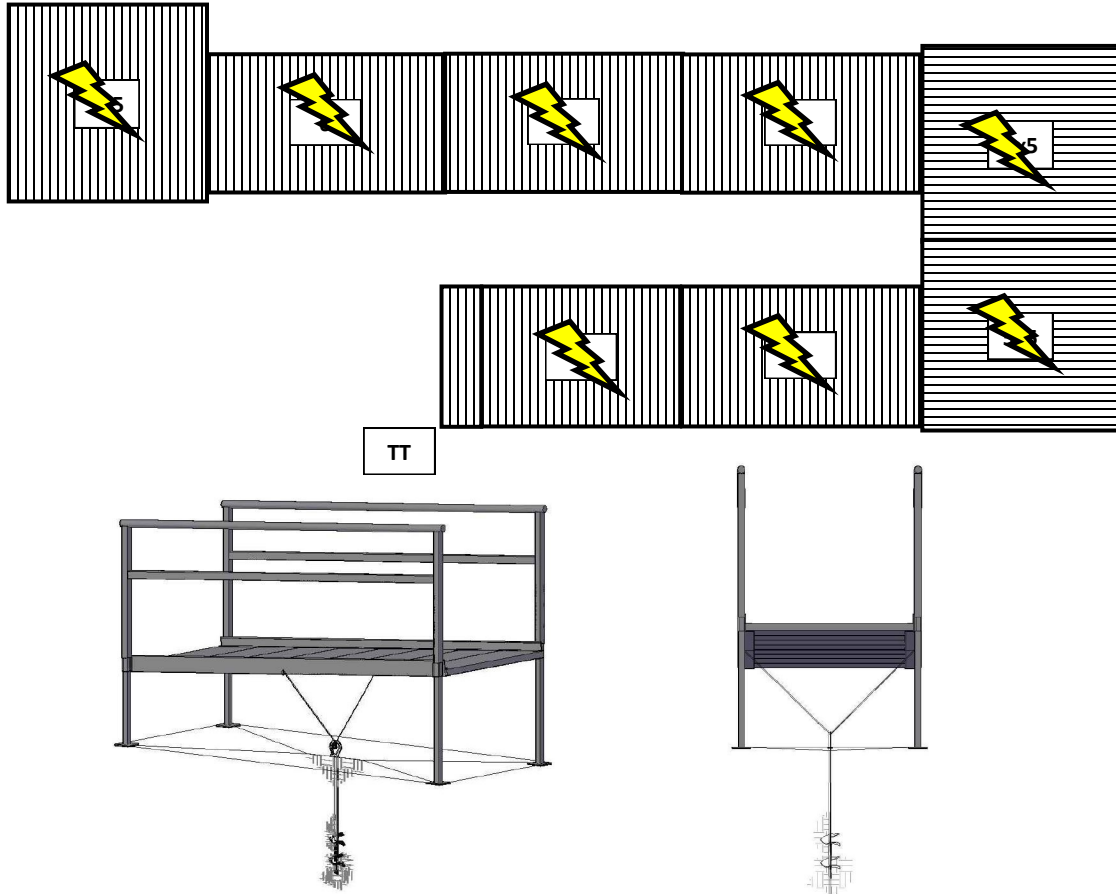
WARNING Prior to installing the anchor augers into the ground, ensure that any underground electrical conductors, natural gas lines, water and drain lines or any other interferences are located and will not hinder the installation. **We do recommend the customer/contractor to call the local utilities to provide a free (miss dig) markings to insure proper placement of anchors.** Allow for **up to 10 days** for your local miss dig company to come out.



WARNING The tie down installation should be completely inspected for any loose wire ropes, fasteners, and anchor augers after being subjected to strong winds.



Hurricane Tie Down Kit Installation Continued...



Tie down kits include 1 2' anchor, 2 wire clamps and a minimum of 48" wire cable. Cable lengths **will vary** depending on the height of your system.

Be sure to view each kit so that you use the proper length of cable for each section.

Tie downs are to be installed UNDER the ramp section where there is enough clearance so the tie down does NOT interfere with the under side of the ramp as it lays over it. Less than 12" in height, you may relocate the tie down to one side of the ramp and in the center of the section.

The tie down should be centered under the ramp. When securing the cable, you should choose a "RIB" **under the ramp** and drill two(2) 1/4" holes, one on each side of the CENTER of the ramp. **DO NOT drill through the side of the ramp.**

Run your wire cable through the drilled holes and down to the top of the tie down anchor. Secure the cable with the two (2) included clamps in your kit.

The cable **should be tight**, allowing about an **inch of slack** for slight movement.

Anchors should be in the ground with the top of the anchor just resting on the ground.

Any Questions, please contact your ramp supplier. **888-790-9269**



We recommend the customer/contractor to call the local utilities to provide a free (miss dig) markings to insure proper placement of anchors.

Allow for up to 10 days for your local miss dig company to come out.

Final Check of Installed system

- Ensure that all fasteners are in place and secure
- Walk on the installed system and check for any unstableness or loose rails
- Ensure that the level and slope has not changed during your installation.
- Remove any debris from job site.
- Ensure your tools have been recovered during installation

CONGRATULATIONS!

Your American Access, Inc.



System is complete

PERIODIC MAINTENANCE AND SAFETY TIPS:

1. IMPORTANT: Use ramp system with a qualified helper
2. Always use your lap belt on your personal mobility device
3. It is important that you refer to your chair or scooter Owner's Guide for the proper degree of incline/decline and chair direction before attempting ramp use. Never exceed the recommendations listed in the owner's manual.
4. Periodically check and tighten any loose fasteners to ensure safety.
5. Avoid alkaloid detergents
6. Do not allow children to play on or near the ramp.
7. Keep ramp and platform surface clean from debris at all times.
8. Do not use handrails or ramp to support planters, bird houses, decorations, etc.
9. Ramp surface may become slippery when wet.
10. If any part of the ramp is damaged or loose, DO NOT USE UNTIL REPAIRS CAN BE MADE BY A CERTIFIED INSTALLER OR OTHER QUALIFIED PERSON.



Winter Care for your Aluminum Ramp system

For the best care of your ramp, please keep this information handy.
QUESTIONS? Please contact us at 888-790-9269

Because of its unique design and aluminum constructions, the AMERICAN ACCESS Modular ramp system requires little to no maintenance to assure years of trouble free use. However, during the winter months, the question may arise as to the best way to keep snow and ice from accumulating on a ramping surface.

Snow, ice and other forms of precipitation could cause any ramp to become slippery. It is our advice that the AMERICAN ACCESS Modular ramps be treated like you would any surface under those conditions. We recommend that any snow accumulation be shoveled and the tread surface swept clean. The **use of Calcium Chloride or Magnesium Chloride salt substitute may be used if the user is looking to melt away snow or ice that may have accumulated on the ramp.** (See example product links below.) These and similar products can be purchased at local retailers, hardware stores and building centers during the winter season. AMERICAN ACCESS does not endorse any ice melt product.

The metal construction of the AMERICAN ACCESS ramps will allow the tread surface to thaw at a quicker rate than other materials. This provides a distinct advantage over wood or concrete ramps that tend to absorb moisture and freeze making them difficult to keep clear as the weather gets cold. The extruded skid resistant surface of the American Access modular ramp will not be damaged or peel as winter shoveling and routine maintenance is performed, unlike grit tape or painted surfaces.

The winter months are difficult in all aspects of outdoor mobility, especially for those that require the use of a ramp. Caution should be used at all times and the proper maintenance and upkeep of the ramping surface is vital to its safe use.

<http://www.thomasregister.com>

<http://www.nasalt.com>

<http://www.live-wire.com>




The products listed are for reference purpose only and do not constitute an endorsement of these products.



- American Access, Inc., herein referred to as Manufacturer, warrants that the equipment is free from defects in material and workmanship under normal use and service. The provisions of the warranty shall not apply to any equipment which has been subject to misuse, negligence, alteration, accident, or improper installation, or which shall have been repaired outside Manufacturer's place of business in any way as, in the reasonable judgment of Manufacturer to adversely affect its performance and reliability, nor to normal deterioration due to wear and exposure.
- Manufacturer's obligation under this warranty is limited to repairing or replacing, at it's option, any equipment which is returned to Manufacturer's place of business with return authorization number (to be obtained from sales office before returning) and which, upon examination, shall disclose to Manufacturer reasonable satisfaction to have been thus defective. The repair or replacement of defective parts under this warranty will be made by Manufacturer without charge for parts or labor. This excludes shipping or delivery charges to or from Manufacturer's place of business.
- The warranty is effective as of the date of sale to the original purchaser and extends for the period of three years.
- The attached registration card must be mailed or faxed within ten (10) days after purchase to the Manufacturer in order to validate the warranty. If defect is discovered by the owner, owner must call American Access at 888-790-9269 and request a return authorization number to return (at owners expense) the merchandise to Manufacturer.
- The buyer's sole and exclusive remedy against the Manufacturer shall be for the repair or replacement of defective merchandise as provided above. No other remedy, including but not limited to, incidental or consequential damages for lost profits, lost sales, injury to property, or any other incidental or consequential loss shall be available to owner. Because some states do not allow the exclusion or limitation of incidental or consequential damages, the above limitation or exclusion may not apply to you. Before using, user shall determine the suitability of the product for its intended use and user assumes all risk and liability whatsoever in connection therewith.

WARRANTY REGISTRATION / PROOF OF PURCHASE

Mail to:  3150 Stage Post Drive, Ste 101, Bartlett, TN 38133 888-790-9269	
Type - Residential Modular Ramp	MANUFACTURED DATE: see label on ramp
User Name:	Phone:
Address:	City, St, Zip:
Name of Dealer:	Dealer's City,St, Zip:
Price Paid:	Date Purchased:
Type of Use:	
 What influenced your ramp purchase with American Access?	
<input type="checkbox"/> Recommendation	
<input type="checkbox"/> Purchased on your behalf (Non-profit, Government, other)	
<input type="checkbox"/> Advertising (Internet, TV, Radio, Brochure)	
<input type="checkbox"/> Dealer recommendation	
<input type="checkbox"/> Product review in a magazine, paper or web article	
<input type="checkbox"/> Trade Show Information	
<input type="checkbox"/> Other (please explain) _____	

Contact's

Write important information here for future contact:

NAME OF DEALER:

INSTALLER

PHONE #:

EMAIL:

WEBSITE:

MANUFACTURER:

AMERICAN ACCESS, INC.
820 Lower Brownsville Rd
Jackson, TN 38301
888-790-9269
Info@aaramps.com
www.aaramps.com

- Other Products Available:**
- * Portable Wheelchair Ramps
 - * Threshold Ramps
 - * Entry Ramps
 - * Commercial Ramps



THANK YOU FOR CHOOSING AMERICAN ACCESS!

Locate us on the INTERNET and LIKE US on FACEBOOK or FOLLOW US on TWITTER. We would LOVE to hear about your new ramp and how it has made a difference in your life today!

